

ABOUT THIS MANUAL

GENERAL

This Service Manual has been prepared with two purposes in mind. First, it will acquaint the user with the construction of the Harley-Davidson product and assist in the performance of basic maintenance and repair. Secondly, it will introduce to the professional Harley-Davidson Technician the latest field-tested and factory-approved major repair methods. We sincerely believe that this Service Manual will make your association with Harley-Davidson products more pleasant and profitable.

HOW TO USE YOUR SERVICE MANUAL

Refer to the table below for the content layout of this manual.

NO.	CHAPTER
1	Maintenance
2	Chassis
3	Engine
4	Fuel System
5	Starter
6	Drive
7	Transmission
8	Electrical
A	Appendix A Connector Repair
B	Appendix B Wiring
C	Appendix C Conversions
D	Appendix D Glossary

Use the TABLE OF CONTENTS (which follows this FOREWORD) and the INDEX (at the back of this manual) to quickly locate subjects. Sections and topics in this manual are sequentially numbered for easy navigation.

For example, a cross-reference shown as **2.1 SPECIFICATIONS** refers to chapter 2 CHASSIS, heading 2.1 SPECIFICATIONS.

For quick and easy reference, all pages contain a section number followed by a page number. For example, **page 3-5** refers to page 5 in section 3.

A number of acronyms and abbreviations are used in this document. See the [D.1 GLOSSARY](#) for a list of acronyms, abbreviations and definitions.

PREPARATION FOR SERVICE

WARNING

Stop the engine when refueling or servicing the fuel system. Do not smoke or allow open flame or sparks near gasoline. Gasoline is extremely flammable and highly explosive, which could result in death or serious injury. (00002a)

Good preparation is very important for efficient service work. A clean work area at the start of each job will allow you to perform the repair as easily and quickly as possible, and will reduce the incidence of misplaced tools and parts. A motorcycle that is excessively dirty should be cleaned before work starts. Cleaning will occasionally uncover sources of trouble. Tools, instruments and any parts needed for the job should be

gathered before work is started. Interrupting a job to locate tools or parts is a distraction and causes needless delay.

NOTES

- *To avoid unnecessary disassembly, carefully read all relative service information before repair work is started.*
- *In figure legends, the number which follows the name of a part indicates the quantity necessary for one complete assembly.*
- *When servicing a vehicle equipped with the Harley-Davidson Smart Security System (H-DSSS), you must first disarm the security system. Either keep the fob in close proximity to the vehicle, or use Digital Technician to disable the security system while the vehicle is being serviced and re-enable the system after service is completed.*

SERVICE BULLETINS

In addition to the information presented in this Service Manual, Harley-Davidson Motor Company will periodically issue Service Bulletins to Harley-Davidson dealers. Service Bulletins cover interim engineering changes and supplementary information. Consult the Service Bulletins to keep your product knowledge current and complete.

USE GENUINE REPLACEMENT PARTS

WARNING

Do not use aftermarket parts and custom made front forks which can adversely affect performance and handling. Removing or altering factory installed parts can adversely affect performance and could result in death or serious injury. (00001a)

To ensure satisfactory and lasting repairs, carefully follow the Service Manual instructions and use only genuine Harley-Davidson replacement parts. Behind the emblem bearing the words GENUINE HARLEY-DAVIDSON stand more than 100 years of design, research, manufacturing, testing and inspecting experience. This is your assurance that the parts you are using will fit right, operate properly and last longer.

WARNINGS AND CAUTIONS

Statements in this service manual preceded by the following words are of special significance.

WARNING

WARNING indicates a potentially hazardous situation which, if not avoided, could result in death or serious injury. (00119a)

CAUTION

CAUTION indicates a potentially hazardous situation which, if not avoided, may result in minor or moderate injury. (00139a)

CAUTION

CAUTION used without the safety alert symbol indicates a potentially hazardous situation which, if not avoided, may result in property damage. (00140a)

NOTE

Refers to important information, and is placed in italic type. It is recommended that you take special notice of these items.

Proper service and repair is important for the safe, reliable operation of all mechanical products. The service procedures recommended and described in this service manual are effective methods for performing service operations.

WARNING

Always wear proper eye protection when using hammers, arbor or hydraulic presses, gear pullers, spring compressors, slide hammers and similar tools. Flying parts could result in death or serious injury. (00496b)

Some of these service operations require the use of tools specially designed for the purpose. These special tools should be used when and as recommended. It is important to note that some warnings against the use of specific service methods, which could damage the motorcycle or render it unsafe, are stated in this service manual. However, please remember that these warnings are not all-inclusive. Inadequate safety precautions could result in death or serious injury.

Since Harley-Davidson could not possibly know, evaluate or advise the service trade of all possible ways in which service might be performed, or of the possible hazardous consequences of each method, we have not undertaken any such broad evaluation. Accordingly, anyone who uses a service procedure or tool which is not recommended by Harley-Davidson must first thoroughly satisfy himself that neither his nor the operator's safety will be jeopardized as a result. Failure to do so could result in death or serious injury.

PRODUCT REFERENCES

WARNING

Read and follow warnings and directions on all products. Failure to follow warnings and directions can result in death or serious injury. (00470b)

When reference is made in this manual to a specific brand name product, tool or instrument, an equivalent product, tool or instrument may be substituted.

Kent-Moore Products

All tools mentioned in this manual with an "HD", "J" or "B" preface must be ordered through SPX Kent-Moore. For ordering

information or product returns, warranty or otherwise, visit www.spx.com.

Loctite Sealing and Threadlocking Products

Some procedures in this manual call for the use of Loctite products. If you have any questions regarding Loctite product usage or retailer/wholesaler locations, please contact Loctite Corp. at www.loctite.com.

PRODUCT REGISTERED MARKS

Allen, Amp Multilock, Bluetooth, Brembo, Delphi, Deutsch, Dunlop, Dynojet, Fluke, G.E. Versilube, Gunk, Hydroseal, Hylomar, Kevlar, Lexan, Loctite, Lubriplate, Keps, K&N, Magnaflux, Marson Thread-Setter Tool Kit, MAXI fuse, Molex, MPZ, Multilock, Novus, Packard, Pirelli, Permatex, Philips, PJ1, Pozidriv, Robinair, S100, Sems, Snap-on, Teflon, Threadlocker, Torca, Torco, TORX, Tufoil, Tyco, Ultratorch, Velcro, X-Acto, and XM Satellite Radio are among the trademarks of their respective owners.

H-D MICHIGAN, INC. TRADEMARK INFORMATION

Harley, Harley-Davidson, H-D, Bar & Shield, Digital Tech, Digital Technician, Destroyer, Deuce, Dyna, Electra Glide, Evolution, Fat Boy, Glaze, Gloss, H-D, H-Dnet.com, HD, Harley, Heritage Softail, Heritage Springer, Low Rider, Night Rod, Night Train, Profile, Revolution, Road Glide, Road King, Rocker, Softail, Sportster, Sun Ray, Sunwash, Tech Link, Twin Cam 88, Twin Cam 88B, Twin Cam 96, Twin Cam 96B, Twin Cam 103, Twin Cam 103B, Twin Cam 110, Twin Cam 110B, Tour-Pak, Screamin' Eagle, Softail, Super Guide, Super Premium, SYN3, Ultra Glide, V-Rod, VRSC, V-Rod, VRSC, Wide Glide, and Harley-Davidson Genuine Motor Parts and Genuine Motor Accessories are among the trademarks of H-D Michigan, Inc.

CONTENTS

All photographs, illustrations and procedures may not necessarily depict the most current model or component, but are based on the latest production information available at the time of publication.

Since product improvement is our continual goal, Harley-Davidson reserves the right to change specifications, equipment or designs at any time without notice and without incurring obligation.

MAINTENANCE

1.1 GENERAL

Servicing a New Motorcycle.....	1-1
Safe Operating Maintenance.....	1-1
Shop Practices.....	1-1
Repair Notes.....	1-1
Safety.....	1-1
Removing Parts.....	1-1
Cleaning.....	1-1
Disassembly and Assembly.....	1-2
Checking Torques on Fasteners with Lock Patches.....	1-2
Magnetic Parts Trays.....	1-2
Repair and Replacement Procedures.....	1-2
Hardware and Threaded Parts.....	1-2
Threadlocking Agents.....	1-2
Wiring, Hoses and Lines.....	1-2
Instruments and Gauges.....	1-2
Bearings.....	1-2
Bushings.....	1-2
Gaskets.....	1-2
Lip Type Seals.....	1-2
O-Rings (Preformed Packings).....	1-3
Gears.....	1-3
Shafts.....	1-3
Part Replacement.....	1-3
Exhaust System Leakage.....	1-3
Cleaning.....	1-3
Part Protection.....	1-3
Cleaning Process.....	1-3
Rust or Corrosion Removal.....	1-3
Bearings.....	1-3
Tool Safety.....	1-3
Air Tools.....	1-3
Wrenches.....	1-3
Pliers/Cutters/Pry bars.....	1-3
Hammers.....	1-4
Punches/Chisels.....	1-4
Screwdrivers.....	1-4
Ratchets and Handles.....	1-4
Sockets.....	1-4
Storage Units.....	1-4

1.2 MAINTENANCE SCHEDULE

General.....	1-5
--------------	-----

1.3 FUEL AND OIL

Fuel.....	1-8
Gasoline Blends.....	1-8
Engine Lubrication.....	1-8
Winter Lubrication.....	1-9

1.4 ENGINE OIL AND FILTER

Checking and Adding Oil.....	1-10
Type of Oil.....	1-10
Checking with Cold Engine.....	1-10
Checking with Warm Engine.....	1-10
Changing Oil and Filter.....	1-11

1.5 BULB REQUIREMENTS

General.....	1-12
--------------	------

1.6 BRAKES

Fluid Inspection.....	1-13
Rear Pedal Height.....	1-13

1.7 AIR CLEANER AND EXHAUST SYSTEM

Removal.....	1-15
Installation.....	1-15
Exhaust System Leak Check.....	1-16

1.8 TIRES AND WHEELS

Tires.....	1-17
Tire Replacement.....	1-17
Wheel Bearings.....	1-18
Wheel Spokes.....	1-18

1.9 PRIMARY CHAIN

General.....	1-19
Changing Primary Chaincase Lubricant.....	1-19

1.10 TRANSMISSION LUBRICANT

Changing Transmission Lubricant.....	1-21
--------------------------------------	------

1.11 CLUTCH

Adjustment.....	1-22
-----------------	------

1.12 REAR BELT AND SPROCKETS

General.....	1-24
Cleaning.....	1-24
Inspection.....	1-24
Sprockets.....	1-24
Rear Belt.....	1-24

1.13 REAR BELT DEFLECTION

Inspection.....	1-26
Adjustment.....	1-27

1.14 THROTTLE CABLES

Cable Inspection, Lubrication and Adjustment.....	1-28
Inspection and Lubrication.....	1-28
Adjustment.....	1-28

1.15 BLEEDING BRAKES

General.....	1-29
Procedure.....	1-29

1.16 BRAKE PADS AND DISCS

Inspection.....	1-30
Brake Pads.....	1-30
Brake Disc Thickness.....	1-30
Brake Disc Lateral Runout and Warpage.....	1-30
Brake Pad Replacement.....	1-30
Rear Brake Caliper.....	1-30
Front Brake Caliper.....	1-31

1.17 BATTERY MAINTENANCE

General.....	1-33
Cleaning and Inspection.....	1-34
Voltmeter Test.....	1-34
Voltmeter Test.....	1-34
Charging Battery.....	1-34
Safety Precautions.....	1-34
Using a Battery Charger.....	1-34
Disconnection and Removal.....	1-35
Storage.....	1-36
Installation and Connection.....	1-36

1.18 SUSPENSION ADJUSTMENTS

Rear Shock Preload Adjustment.....	1-38
------------------------------------	------

TABLE OF CONTENTS

1.19 SPARK PLUGS

Inspection.....	1-39
Spark Plug Cable Inspection.....	1-39

1.20 STEERING HEAD BEARINGS

Adjustment.....	1-41
Bearing Adjustment (Fall Away).....	1-41
Lubrication.....	1-41

1.21 FRONT FORK OIL

Replacing Fork Oil.....	1-42
-------------------------	------

1.22 CABLE AND CHASSIS LUBRICATION

General.....	1-43
Cables and Hand Levers.....	1-43
Jiffy Stand.....	1-43

1.23 HEADLAMP ALIGNMENT

Inspection.....	1-44
Adjustment.....	1-44
All Models.....	1-44

1.24 CRITICAL FASTENERS

Inspection.....	1-46
-----------------	------

1.25 ENGINE MOUNTS

Inspection.....	1-47
-----------------	------

1.26 STORAGE

General.....	1-48
Placing in Storage.....	1-48
Removal from Storage.....	1-48

1.27 TROUBLESHOOTING

General.....	1-50
Engine.....	1-50
Starter Motor Does Not Operate or Does Not Turn Engine Over.....	1-50
Engine Turns Over But Does Not Start.....	1-50
Starts Hard.....	1-50
Starts But Runs Irregularly or Misses.....	1-50
Spark Plug Fouls Repeatedly.....	1-50
Pre-Ignition or Detonation (Knocks or Pings).....	1-50
Overheating.....	1-51
Valve Train Noise.....	1-51
Excessive Vibration.....	1-51
Check Engine Light Illuminates During Operation.....	1-51
Lubrication System.....	1-51
Oil Does Not Return To Oil Pan.....	1-51
Engine Uses Too Much Oil Or Smokes Excessively... ..	1-51
Engine Leaks Oil From Cases, Push Rods, Hoses, Etc.....	1-51
Low Oil Pressure.....	1-51
High Oil Pressure.....	1-51
Electrical System.....	1-51
Alternator Does Not Charge.....	1-51
Alternator Charge Rate Is Below Normal.....	1-51
Speedometer Operates Erratically.....	1-52
Transmission.....	1-52
Shifts Hard.....	1-52

Jumps Out Of Gear.....	1-52
Clutch Slips.....	1-52
Clutch Drags Or Does Not Release.....	1-52
Clutch Chatters.....	1-52
Handling.....	1-52
Irregularities.....	1-52
Brakes.....	1-52
Brake Does Not Hold Normally.....	1-52

CHASSIS

2.1 SPECIFICATIONS

Specifications.....	2-1
Tires.....	2-1

2.2 VEHICLE IDENTIFICATION NUMBER (V.I.N.)

General.....	2-3
--------------	-----

2.3 FRONT WHEEL

Removal.....	2-5
Disassembly.....	2-5
Cast Wheel.....	2-5
Cast Wheel, Dual Brakes.....	2-5
Laced Wheel.....	2-5
Cleaning and Inspection.....	2-8
Assembly.....	2-8
Cast Wheel.....	2-9
Laced Wheel.....	2-9
Installation.....	2-9

2.4 REAR WHEEL

Removal.....	2-10
Disassembly.....	2-10
Cleaning and Inspection.....	2-11
Assembly.....	2-11
Installation.....	2-12

2.5 SEALED WHEEL BEARINGS

Inspection.....	2-13
Removal.....	2-13
Installation.....	2-14

2.6 WHEEL LACING: 17 INCH RIM

General.....	2-16
Procedure.....	2-16
Hub: Brake Disc Flange Up.....	2-16
Hub: Sprocket Side Up.....	2-17

2.7 WHEEL LACING: 19 INCH RIM

Procedure.....	2-19
----------------	------

2.8 WHEEL LACING: 21 INCH RIM

General.....	2-23
Procedure.....	2-23

2.9 TRUING LACED WHEELS

General.....	2-26
Lateral Truing.....	2-26
Radial Truing.....	2-27

TABLE OF CONTENTS

2.10 CHECKING CAST WHEEL RUNOUT

General.....	2-29
Lateral Runout.....	2-29
Radial Runout.....	2-29

2.11 VEHICLE ALIGNMENT

Inspection.....	2-30
-----------------	------

2.12 FRONT BRAKE MASTER CYLINDER

General.....	2-32
Removal and Disassembly.....	2-32
Cleaning and Inspection.....	2-34
Assembly and Installation.....	2-34

2.13 FRONT BRAKE CALIPER

Removal.....	2-36
Disassembly.....	2-36
Cleaning, Inspection and Repair.....	2-38
Assembly.....	2-39
Installation.....	2-39

2.14 REAR BRAKE MASTER CYLINDER

General.....	2-41
Removal.....	2-41
Disassembly.....	2-42
Cleaning and Inspection.....	2-43
Assembly.....	2-43
Installation.....	2-43

2.15 REAR BRAKE CALIPER

Removal.....	2-45
Disassembly.....	2-45
Cleaning, Inspection and Repair.....	2-47
Assembly.....	2-48
Installation.....	2-48

2.16 TIRES

General.....	2-50
Removal.....	2-50
Cleaning, Inspection and Repair.....	2-51
Installation.....	2-51
Tube Type Tires.....	2-51
Tubeless Tires.....	2-52

2.17 FRONT FORK

Removal.....	2-53
Disassembly.....	2-53
Cleaning and Inspection.....	2-56
Assembly.....	2-56
Installation.....	2-57

2.18 STEERING HEAD

Removal.....	2-58
Inspection.....	2-58
Disassembly.....	2-59
Steering Head Bearing Race Removal	2-59
Assembly.....	2-60
Installation.....	2-60

2.19 BELT GUARD

Removal.....	2-61
Installation.....	2-61

2.20 DEBRIS DEFLECTOR

Removal.....	2-62
Installation.....	2-62

2.21 THROTTLE CONTROL

Removal/Disassembly.....	2-63
Cleaning and Inspection.....	2-63
Assembly/Installation.....	2-63
Throttle Cable Routing.....	2-63

2.22 REAR SHOCK ABSORBERS

General.....	2-65
Removal.....	2-65
Inspection.....	2-65
Installation.....	2-65

2.23 REAR FORK

Removal.....	2-66
Disassembly.....	2-67
Cleaning and Inspection.....	2-67
Assembly.....	2-67
Installation.....	2-67

2.24 CLUTCH CONTROL

Removal.....	2-68
Installation.....	2-68

2.25 HANDLEBARS: ALL BUT FXDWG/FXDF

Removal.....	2-69
All Models.....	2-69
FXD/FXDC Models.....	2-69
FXDB.....	2-69
FXDL Models.....	2-70
Installation.....	2-70
FXD/FXDC Models.....	2-70
FXDB Models.....	2-71
FXDL Models.....	2-71
All Models.....	2-71

2.26 HANDLEBARS: FXDWG/FXDF

Removal.....	2-72
Installation.....	2-72

2.27 FRONT FENDER

Removal.....	2-75
Installation.....	2-75

2.28 REAR FENDER

General.....	2-76
Removal.....	2-76
Tail Lamp/Turn Signal Harness Routing.....	2-76
Installation.....	2-76
FXDWG/FXDF.....	2-77
Removal.....	2-77
Installation.....	2-77
FXD, FXDC, FXDB and FXDL Models.....	2-77

TABLE OF CONTENTS

Removal.....	2-77
Installation.....	2-77
2.29 SEAT	
Removal.....	2-78
Installation.....	2-78
2.30 JIFFY STAND	
Cleaning.....	2-80
Sensor (HDI Models).....	2-80
Removal.....	2-81
Installation.....	2-81
2.31 ENGINE MOUNTS	
Removal.....	2-83
Front Isolator.....	2-83
Rear Isolator.....	2-83
Installation.....	2-83
Front Isolator.....	2-83
Rear Isolator.....	2-83
ENGINE	
3.1 SPECIFICATIONS	
Specifications.....	3-1
3.2 SERVICE WEAR LIMITS	
General.....	3-3
3.3 ENGINE OIL FLOW	
Oil Feed.....	3-5
Top End.....	3-6
Bottom End.....	3-7
Oil Return.....	3-9
3.4 OIL PUMP OPERATION	
General.....	3-10
Operation.....	3-10
3.5 BREATHER OPERATION	
General.....	3-12
3.6 OIL PRESSURE	
Oil Pressure Indicator Lamp.....	3-13
Checking Oil Pressure.....	3-13
3.7 TROUBLESHOOTING	
Diagnosing Valve Train Noise.....	3-14
Compression Test.....	3-14
Cylinder Leakdown Test.....	3-14
Diagnosing Smoking Engine or High Oil Consumption.....	3-15
Check Prior To Cylinder Head Removal.....	3-15
Check After Cylinder Head Removal.....	3-15
3.8 HOW TO USE THIS SECTION	
Top End Repair.....	3-16
Bottom End Repair.....	3-16
Typical Symptoms.....	3-16

3.9 TOP END SERVICE	
Engine in Chassis.....	3-17
Engine Removed from Chassis.....	3-18
3.10 BOTTOM END SERVICE	
Engine in Chassis.....	3-19
Engine Removed From Chassis.....	3-20
3.11 STRIPPING MOTORCYCLE FOR SERVICE	
Procedure.....	3-21
3.12 ASSEMBLING MOTORCYCLE AFTER SERVICE	
Procedure.....	3-22
3.13 REMOVING ENGINE FROM CHASSIS	
Procedure.....	3-23
3.14 INSTALLING ENGINE IN CHASSIS	
Procedure.....	3-24
3.15 TOP END OVERHAUL: DISASSEMBLY	
General.....	3-26
Breather Assembly.....	3-26
Rocker Arm Support Plate.....	3-27
Push Rods, Lifters and Covers.....	3-28
Cylinder Head.....	3-29
Cylinder.....	3-30
Piston.....	3-30
3.16 TOP END OVERHAUL: ASSEMBLY	
General.....	3-32
Piston.....	3-32
Cylinder.....	3-33
Cylinder Head.....	3-35
Push Rods, Lifters and Covers.....	3-39
Rocker Arm Support Plate.....	3-40
Breather Assembly.....	3-41
3.17 BOTTOM END OVERHAUL: DISASSEMBLY	
General.....	3-43
Cover and Cam Support Plate.....	3-43
Prepare Engine.....	3-43
Cam Chain and Sprockets.....	3-43
Cam Support Plate.....	3-44
Crankcase.....	3-45
3.18 BOTTOM END OVERHAUL: ASSEMBLY	
General.....	3-47
Crankcase.....	3-47
Cover and Cam Support Plate.....	3-49
3.19 BREATHER ASSEMBLY	
Removal Overview.....	3-54
Disassembly.....	3-54
Cleaning and Inspection.....	3-54
Assembly.....	3-54

TABLE OF CONTENTS

Installation Overview.....	3-54
----------------------------	------

3.20 ROCKER ARM SUPPORT PLATE

Removal Overview.....	3-55
Disassembly.....	3-55
Cleaning and Inspection.....	3-55
Inspection.....	3-55
Rocker Shaft Fit.....	3-55
Rocker Arm Shaft to Bushing.....	3-56
Replace Rocker Arm Bushings.....	3-56
Assembly.....	3-57
Installation Overview.....	3-57

3.21 PUSH RODS, LIFTERS AND COVERS

Removal Overview.....	3-58
Disassembly.....	3-58
Cleaning and Inspection.....	3-58
Lifter Inspection.....	3-59
Assembly.....	3-59
Installation Overview.....	3-60

3.22 CYLINDER HEAD

Removal Overview.....	3-61
Disassembly.....	3-61
Cleaning.....	3-62
Inspection.....	3-63
Cylinder Head.....	3-63
Valve Guides.....	3-63
Valves.....	3-63
Valve Springs.....	3-63
Tapered Keepers.....	3-64
Valve Seats.....	3-64
Valve Guide Replacement.....	3-64
Removal.....	3-64
Installation.....	3-65
Valve and Seat Refacing.....	3-68
Assembly.....	3-70
Installation Overview.....	3-71

3.23 CYLINDER

Removal Overview.....	3-72
Cleaning.....	3-72
Inspection.....	3-73
Deglazing Cylinder.....	3-74
Boring and Honing Cylinder.....	3-75
Installation Overview.....	3-75

3.24 PISTON

Removal Overview.....	3-76
Disassembly.....	3-76
Piston Rings.....	3-76
Cleaning.....	3-76
Inspection.....	3-77
Assembly.....	3-78
Checking Piston Ring Gap.....	3-78
Installing Piston Rings.....	3-79
Installation Overview.....	3-80

3.25 COVER AND CAM SUPPORT PLATE

Removal Overview.....	3-81
Camshafts.....	3-82

Removal.....	3-82
Assembly.....	3-83
Oil Pressure Relief Valve.....	3-84
Removal.....	3-84
Installation.....	3-84
Inspection.....	3-85
Cam Needle Bearings.....	3-85
Removal.....	3-85
Installation.....	3-86
Cleaning and Inspection.....	3-88
Oil Pressure Valve.....	3-88
Cam Support Plate.....	3-88
Installation Overview.....	3-88

3.26 OIL PUMP

Removal Overview.....	3-89
Cleaning and Inspection.....	3-89
Installation Overview.....	3-89

3.27 CRANKCASE

Removal Overview.....	3-90
Right Crankcase Half.....	3-90
Crankshaft Bearing Removal.....	3-90
Crankshaft Bearing Installation.....	3-90
Piston Jets Removal.....	3-91
Piston Jets Installation.....	3-91
Left Crankcase Half.....	3-91
Crankshaft (Roller) Bearing Removal.....	3-91
Crankshaft (Roller) Bearing Installation.....	3-93
Sprocket Shaft Bearing Inner Race.....	3-94
Removal.....	3-94
Installation.....	3-95
Cylinder Studs.....	3-96
Removal.....	3-96
Installation.....	3-96
Pipe Plug and Oil Fittings.....	3-97
Removal.....	3-97
Installation.....	3-97
Cleaning and Inspection.....	3-97
Installation Overview.....	3-97

3.28 FLYWHEEL AND CONNECTING RODS

Removal Overview.....	3-98
Inspection.....	3-98
Installation Overview.....	3-98

3.29 OIL PAN

Removal.....	3-99
Installation.....	3-99

FUEL SYSTEM

4.1 SPECIFICATIONS: FUEL SYSTEM

Specifications.....	4-1
---------------------	-----

4.2 ELECTRONIC FUEL INJECTION (EFI)

Troubleshooting.....	4-2
----------------------	-----

4.3 IDLE SPEED

General.....	4-3
--------------	-----

TABLE OF CONTENTS

4.4 AIR CLEANER ASSEMBLY

Removal.....	4-4
Installation.....	4-5
Backplate Assembly: HDI Models.....	4-5

4.5 FUEL TANK

General.....	4-7
Removal.....	4-7
Cleaning and Inspection.....	4-9
Installation.....	4-9
Vapor Valve.....	4-9

4.6 THROTTLE POSITION SENSOR (TPS)

General.....	4-10
Removal.....	4-10
Installation.....	4-10

4.7 INTAKE AIR TEMPERATURE SENSOR (IAT)

General.....	4-11
Removal.....	4-11
Installation.....	4-11

4.8 ENGINE TEMPERATURE SENSOR (ET)

General.....	4-12
Removal.....	4-12
Installation.....	4-13

4.9 INDUCTION MODULE

Removal.....	4-14
Installation.....	4-15

4.10 IDLE AIR CONTROL (IAC)

General.....	4-16
Removal.....	4-16
Installation.....	4-16

4.11 MANIFOLD ABSOLUTE PRESSURE SENSOR (MAP)

General.....	4-17
Removal.....	4-17
Installation.....	4-17

4.12 OXYGEN SENSOR

General.....	4-18
Removal.....	4-18
Installation.....	4-18

4.13 FUEL INJECTORS

General.....	4-19
Removal.....	4-19
Installation.....	4-19

4.14 FUEL PUMP

General.....	4-21
Removal.....	4-21
Disassembly/Assembly.....	4-23
Fuel Filter.....	4-23
Regulator.....	4-23

Inlet Sock.....	4-24
Fuel Pump.....	4-25
Installation.....	4-25

4.15 FUEL PRESSURE TEST

General.....	4-29
Testing.....	4-29

4.16 EXHAUST SYSTEM

Removal: All but FXDF.....	4-31
Disassembly: All but FXDF.....	4-33
Assembly: All but FXDF.....	4-33
Installation: All but FXDF.....	4-33
Removal: FXDF.....	4-34
Installation: FXDF.....	4-35

4.17 INTAKE LEAK TEST

General.....	4-37
Leak Tester.....	4-37
Parts List.....	4-37
Tester Assembly.....	4-37
Tester Adjustment.....	4-37
Procedure.....	4-37

4.18 EVAPORATIVE EMISSIONS CONTROL (CA MODELS)

General.....	4-39
Charcoal Canister.....	4-39
Removal.....	4-39
Installation.....	4-40

STARTER

5.1 SPECIFICATIONS: STARTER

Specifications.....	5-1
---------------------	-----

5.2 STARTER

General.....	5-2
Starter Relay.....	5-2
Wiring Diagrams.....	5-2
Removal.....	5-2
Installation.....	5-2
Testing.....	5-2
Armature.....	5-2
Brushes and Brush Holder.....	5-5
Field Coil Assembly.....	5-6
Disassembly.....	5-6
Inspection.....	5-6
Assembly.....	5-6
Drive Assembly.....	5-7
Disassembly.....	5-7
Inspection.....	5-7
Assembly.....	5-7

5.3 STARTER SOLENOID

Solenoid Assembly.....	5-8
Disassembly.....	5-8
Assembly.....	5-8
Solenoid Plunger.....	5-8
Disassembly.....	5-8

TABLE OF CONTENTS

Assembly.....	5-8
Solenoid Contacts.....	5-8
Disassembly.....	5-8
Assembly.....	5-9

DRIVE

6.1 SPECIFICATIONS: DRIVE

Specifications.....	6-1
---------------------	-----

6.2 PRIMARY CHAINCASE COVER

General.....	6-2
Removal.....	6-2
Installation.....	6-2

6.3 DRIVE COMPONENTS

Removal.....	6-3
Installation.....	6-4

6.4 PRIMARY CHAINCASE HOUSING

Removal.....	6-8
Inspection.....	6-8
Mainshaft Bearing and Lip Seal.....	6-8
Removal.....	6-8
Installation.....	6-8
Mainshaft Bearing Inner Race.....	6-9
Removal.....	6-9
Installation.....	6-9
Shifter Shaft Bushing.....	6-10
Installation.....	6-11

6.5 CLUTCH

Removal and Installation.....	6-13
Clutch Pack Only.....	6-13
Partial Disassembly.....	6-13
Cleaning And Inspection.....	6-13
Assembly.....	6-14
Clutch Pack and Bearing.....	6-15
Complete Disassembly.....	6-15
Assembly.....	6-16

6.6 TRANSMISSION SPROCKET

Removal.....	6-18
Cleaning and Inspection.....	6-18
Installation.....	6-19

6.7 DRIVE BELT

Removal.....	6-21
Installation.....	6-21

TRANSMISSION

7.1 SPECIFICATIONS: TRANSMISSION

Specifications.....	7-1
Service Wear Limits.....	7-1

7.2 TRANSMISSION

Power Flow.....	7-2
Neutral.....	7-2
1st Gear.....	7-2

2nd Gear.....	7-2
3rd Gear.....	7-2
4th Gear.....	7-2
5th Gear.....	7-2
6th Gear.....	7-2

7.3 SHIFTER LINKAGE

Adjustment.....	7-4
-----------------	-----

7.4 CLUTCH RELEASE COVER

Removal and Disassembly.....	7-5
Cleaning and Inspection.....	7-5
Assembly and Installation.....	7-6

7.5 TRANSMISSION ASSEMBLY

Removal.....	7-7
Disassembly.....	7-8
Shifter Cam/Shifter Forks.....	7-8
Mainshaft.....	7-9
Countershaft.....	7-13
Replacing Side Door Bearings.....	7-15
Cleaning and Inspection.....	7-15
Assembly.....	7-15
Installing Side Door Bearings.....	7-15
Countershaft.....	7-16
Mainshaft.....	7-16
Shifter Cam/Shifter Forks.....	7-17
Installation.....	7-18

7.6 MAIN DRIVE GEAR AND BEARING

Removal.....	7-19
Cleaning and Inspection.....	7-20
Needle Bearing Replacement.....	7-20
Installation.....	7-22
Installing Main Drive Gear Bearing.....	7-23
Installing Main Drive Gear.....	7-23
Installing Main Drive Gear Seal.....	7-24

7.7 TRANSMISSION CASE

Removal.....	7-26
Installation.....	7-27
Disassembly.....	7-28
Shifter Arm Assembly.....	7-28
Cleaning and Inspection.....	7-28
Assembly.....	7-29
Countershaft Needle Bearing Replacement.....	7-29
Shifter Pawl Lever Assembly.....	7-29

ELECTRICAL

8.1 SPECIFICATIONS: ELECTRICAL

Specifications.....	8-1
---------------------	-----

8.2 ELECTRICAL CADDY

Removal.....	8-2
Installation.....	8-2

8.3 ELECTRONIC CONTROL MODULE (ECM)

General.....	8-4
Replacement.....	8-4

TABLE OF CONTENTS

8.4 SPARK PLUG CABLES

Removal.....	8-5
Installation.....	8-5

8.5 VOLTAGE REGULATOR

Removal.....	8-6
Installation.....	8-6

8.6 FUSES AND RELAYS

General.....	8-7
Removal and Installation.....	8-7
Relays.....	8-7
Fuses.....	8-7

8.7 IGNITION SWITCH/FORK LOCK

General.....	8-8
FXD, FXDL, FXDB.....	8-8
Removal.....	8-8
Installation.....	8-9
FXDWG, FXDC, FXDF Models (Ignition Switch Only).....	8-11

8.8 BATTERY TRAY AND BATTERY CABLES

Battery Tray.....	8-12
Removal.....	8-12
Installation.....	8-12
Battery Cables.....	8-13
Routing.....	8-13

8.9 HEADLAMP

General.....	8-14
Bulb Removal.....	8-14
Single Bulb Headlamp.....	8-14
Dual Bulb Headlamp.....	8-15
Bulb Installation.....	8-16
Headlamp Assembly Removal.....	8-16
Headlamp Assembly Installation.....	8-16

8.10 TAIL LAMP

General.....	8-17
Tail Lamp Bulb Replacement: Standard Style.....	8-17
Base Replacement.....	8-17

8.11 TURN SIGNALS AND RUNNING LIGHTS

Bulb Replacement: Bullet Style.....	8-19
Front Lamp Housing Replacement.....	8-19
Rear Lamp Housing Replacement.....	8-20

8.12 TURN SIGNAL AND SECURITY MODULE (TSM/TSSM/HFSM)

Removal.....	8-23
Installation.....	8-23

8.13 CRANK POSITION SENSOR (CKP)

General.....	8-25
Removal.....	8-25
Installation.....	8-25

8.14 ALTERNATOR AND STATOR

Removal/Disassembly.....	8-26
Assembly/Installation.....	8-26

8.15 FUEL GAUGE

General.....	8-27
All But FXD Models.....	8-27
Removal.....	8-27
Installation.....	8-27
FXD Models.....	8-27
Console Removal.....	8-27
Gauge Removal.....	8-29
Gauge Installation.....	8-29
Console Installation.....	8-29

8.16 FUEL GAUGE SENDER

Removal.....	8-31
Installation.....	8-32

8.17 INSTRUMENTS: FXDWG/FXDC/FXDF

Removal.....	8-34
Speedometer.....	8-34
Installation.....	8-34
Speedometer.....	8-34

8.18 INSTRUMENTS: FXDL/FXDB

Removal.....	8-35
General.....	8-35
Speedometer.....	8-35
Tachometer.....	8-35
Installation.....	8-35
General.....	8-35
Speedometer.....	8-35
Tachometer.....	8-35

8.19 INSTRUMENTS: FXD

Removal.....	8-37
Installation.....	8-37

8.20 VEHICLE SPEED SENSOR (VSS)

General.....	8-38
Removal.....	8-38
Installation.....	8-38

8.21 INDICATOR LAMPS

General.....	8-39
Removal.....	8-39
FXDWG/FXDC/FXDF Models.....	8-39
FXDB Models.....	8-39
FXD Models.....	8-40
FXDL Models.....	8-40
Installation.....	8-40
FXDWG/ FXDC/FXDF Models.....	8-40
FXDB Models.....	8-41
FXD Models.....	8-41
FXDL Models.....	8-41

8.22 NEUTRAL SWITCH

General.....	8-42
Removal.....	8-42
Installation.....	8-42

8.23 OIL PRESSURE SWITCH

General.....	8-43
--------------	------

TABLE OF CONTENTS

Removal.....	8-43
Installation.....	8-43

8.24 REAR STOPLIGHT SWITCH

General.....	8-44
Removal.....	8-44
Installation.....	8-44

8.25 HORN

Inspection.....	8-45
Replacement.....	8-45

8.26 ACTIVE EXHAUST

General.....	8-46
Removal.....	8-46
Repair.....	8-46
Installation.....	8-46

8.27 MAIN WIRING HARNESS

General.....	8-48
Removal.....	8-48
Installation.....	8-50

8.28 HANDLEBAR SWITCH ASSEMBLIES

General.....	8-53
Repair Procedures.....	8-53

8.29 RIGHT HANDLEBAR SWITCH

Removal.....	8-54
Installation.....	8-54
Disassembly.....	8-56
Switch Repair/Replacement.....	8-57
Upper Housing Repair.....	8-57
Lower Housing Repair.....	8-57
Turn-Right Signal Switch.....	8-58
Front Stoplight Switch.....	8-58
Assembly.....	8-58

8.30 LEFT HANDLEBAR SWITCH

Removal.....	8-60
Installation.....	8-60
Disassembly.....	8-61
Switch Repair/Replacement.....	8-61
Upper Housing Repair.....	8-61
Lower Housing Repair.....	8-62
Turn-Left Signal Switch.....	8-62
Clutch Interlock Switch.....	8-62
Assembly.....	8-62

APPENDIX A CONNECTOR REPAIR

A.1 AMP 1-PLACE CONNECTORS

AMP 1-Place Connector Repair.....	A-1
General.....	A-1
Separating Pin and Socket Housings.....	A-1
Mating Pin and Socket Housings.....	A-1
Removing Socket Terminals.....	A-1
Installing Socket Terminal.....	A-1
Removing Pin Terminal.....	A-1
Installing Pin Terminal.....	A-2

A.2 AMP MULTILOCK CONNECTORS

AMP Multilock Connector Repair.....	A-3
General.....	A-3
Separating Pin and Socket Housings.....	A-3
Mating Pin and Socket Housings.....	A-3
Removing Terminals from Housing.....	A-3
Inserting Terminals into Housing.....	A-4
Preparing Wire Leads for Crimping.....	A-4
Crimping Terminals to Leads.....	A-5
Inspecting Crimped Terminals.....	A-6

A.3 AUTOFUSE ELECTRICAL CONNECTORS

Autofuse Connector Repair.....	A-7
General.....	A-7
Disassembly.....	A-7
Assembly.....	A-7

A.4 DELPHI CONNECTORS

Delphi Connector Repair.....	A-8
General.....	A-8
Separating Pin and Socket Housings.....	A-8
Mating Pin and Socket Housings.....	A-8
Removing Socket Terminals.....	A-8
Installing Socket Terminals.....	A-8

A.5 DELPHI MAXI FUSE HOUSING

Delphi Maxi-Fuse Housing Repair.....	A-10
General.....	A-10
Removing Maxi-Fuse.....	A-10
Installing Maxi-Fuse.....	A-10
Removing Socket Terminals.....	A-10
Installing Socket Terminals.....	A-10

A.6 DEUTSCH ELECTRICAL CONNECTORS

Deutsch Connector Repair.....	A-12
General.....	A-12
Separating Pin and Socket Housings.....	A-12
Mating Pin and Socket Housings.....	A-12
Removing Socket Terminals.....	A-12
Installing Socket Terminals.....	A-12
Removing Pin Terminals.....	A-14
Installing Pin Terminals.....	A-14
Crimping Terminals.....	A-15

A.7 DEUTSCH STANDARD TERMINAL REPAIR

Deutsch Standard Terminal Crimps.....	A-16
Preparing Wire Leads for Crimping.....	A-16
Crimping Terminal to Lead.....	A-16
Inspecting Crimps.....	A-16

A.8 DEUTSCH SOLID BARREL MINI TERMINAL REPAIR

Deutsch Solid Barrel Terminal Crimps.....	A-17
Preparing Wire Leads For Crimping.....	A-17
Adjusting Crimper Tool.....	A-17
Crimping a Barrel Contact To Wire Lead.....	A-17
Inspecting Crimps.....	A-17

TABLE OF CONTENTS

A.9 DEUTSCH MINI TERMINAL REPAIR

Deutsch Mini Terminal Crimps.....	A-19
Preparing Wire Leads for Crimping.....	A-19
Crimping a Mini Terminal to Wire Lead.....	A-19
Inspecting Crimps.....	A-19

A.10 MOLEX CONNECTORS

Molex Connector Repair.....	A-20
Separating Pin and Socket Housings.....	A-20
Mating Pin and Socket Housings.....	A-20
Removing Terminals.....	A-20
Installing Terminals.....	A-20
Crimp Terminal to Lead.....	A-21
Prepare Lead.....	A-21
Prepare Tool.....	A-21
Position Terminal in the Punch/Die.....	A-22
Insert Stripped Lead.....	A-22
Crimp Terminal to Lead.....	A-22
Inspect Crimp.....	A-23

A.11 PACKARD 150 METRI-PACK CONNECTORS

150 Metri-Pack Connector Repair.....	A-24
General.....	A-24
Separating Pin and Socket Housings.....	A-24
Mating Pin and Socket Housings.....	A-24
Removing Socket Terminal.....	A-24
Inserting Socket Terminal.....	A-24

A.12 PACKARD 280 METRI-PACK RELAY AND FUSE BLOCK CONNECTORS

Fuse Block Repair.....	A-26
Removing Socket Terminals.....	A-26
Installing Socket Terminals.....	A-26
Crimping Terminals.....	A-26

A.13 PACKARD 480 METRI-PACK CONNECTORS

480 Metri-Pack Connector Repair.....	A-27
General.....	A-27
Separating Pin and Socket Housings.....	A-27
Mating Pin and Socket Housings.....	A-27
Removing Socket Terminals.....	A-27
Installing Socket Terminals.....	A-27

A.14 PACKARD 630 METRI-PACK CONNECTORS

630 Metri-Pack Connector Repair.....	A-28
General.....	A-28
Separating Pin and Socket Housings.....	A-28
Mating Pin and Socket Housings.....	A-28
Removing Socket Terminal.....	A-28
Installing Socket Terminal.....	A-28

A.15 PACKARD METRI-PACK TERMINALS

Metri-Pack Terminal Crimps.....	A-29
Matching Terminal To Crimper.....	A-29
Preparing Wire Lead.....	A-29
Crimping Wire Core.....	A-29
Crimping Insulation/Seal.....	A-29

Inspecting Crimps.....	A-30
------------------------	------

A.16 PACKARD ECM CONNECTOR

Packard 100W Connector Repair.....	A-31
General.....	A-31
Separating Socket Housing From ECM.....	A-31
Mating Socket Housing To ECM.....	A-31
Removing Socket Terminal.....	A-31
Installing Socket Terminal.....	A-31
Crimping Terminals.....	A-31

A.17 PACKARD MICRO-64 CONNECTORS

Packard Micro-64 Connector Repair.....	A-33
General.....	A-33
Separating Pin and Socket Housings.....	A-33
Mating Pin and Socket Housings.....	A-33
Removing Terminal.....	A-33
Installing Terminal.....	A-33
Preparing Wire Leads for Crimping.....	A-34
Crimping Terminals.....	A-34
Inspecting Crimps.....	A-34

A.18 SEALED SPLICE CONNECTORS

Sealed Splice Connector Repair.....	A-36
General.....	A-36
Preparing Wire Leads.....	A-36
Splicing Wire Leads.....	A-36
Inspecting Seals.....	A-36

APPENDIX B WIRING

B.1 CONNECTORS

Connector Locations.....	B-1
Function/Location.....	B-1
Place and Color.....	B-1
Connector Number.....	B-1
Repair Instructions.....	B-1

B.2 WIRING DIAGRAMS

Wiring Diagram Information.....	B-3
Wire Color Codes.....	B-3
Wiring Diagram Symbols.....	B-3
2008 Dyna Wiring Diagrams.....	B-4

APPENDIX C CONVERSIONS

C.1 LENGTH CONVERSION

Conversion Table.....	C-1
-----------------------	-----

C.2 FLUID CONVERSION

United States System.....	C-2
Metric System.....	C-2
British Imperial System.....	C-2

C.3 TORQUE CONVERSION

United States System.....	C-3
Metric System.....	C-3

APPENDIX D GLOSSARY

D.1 GLOSSARY

Acronyms and Abbreviations.....D-1

REFERENCE MATERIAL

TOOLS.....I

TORQUE VALUES.....VII

INDEX.....XV

NOTES

SUBJECT	PAGE NO.
1.1 GENERAL.....	1-1
1.2 MAINTENANCE SCHEDULE.....	1-5
1.3 FUEL AND OIL.....	1-8
1.4 ENGINE OIL AND FILTER.....	1-10
1.5 BULB REQUIREMENTS.....	1-12
1.6 BRAKES.....	1-13
1.7 AIR CLEANER AND EXHAUST SYSTEM.....	1-15
1.8 TIRES AND WHEELS.....	1-17
1.9 PRIMARY CHAIN.....	1-19
1.10 TRANSMISSION LUBRICANT.....	1-21
1.11 CLUTCH.....	1-22
1.12 REAR BELT AND SPROCKETS.....	1-24
1.13 REAR BELT DEFLECTION.....	1-26
1.14 THROTTLE CABLES.....	1-28
1.15 BLEEDING BRAKES.....	1-29
1.16 BRAKE PADS AND DISCS.....	1-30
1.17 BATTERY MAINTENANCE.....	1-33
1.18 SUSPENSION ADJUSTMENTS.....	1-38
1.19 SPARK PLUGS.....	1-39
1.20 STEERING HEAD BEARINGS.....	1-41
1.21 FRONT FORK OIL.....	1-42
1.22 CABLE AND CHASSIS LUBRICATION.....	1-43
1.23 HEADLAMP ALIGNMENT.....	1-44
1.24 CRITICAL FASTENERS.....	1-46
1.25 ENGINE MOUNTS.....	1-47
1.26 STORAGE.....	1-48
1.27 TROUBLESHOOTING.....	1-50

NOTES

SERVICING A NEW MOTORCYCLE

WARNING

Perform the service and maintenance operations as indicated in the regular service interval table. Lack of regular maintenance at the recommended intervals can affect the safe operation of your motorcycle, which could result in death or serious injury. (00010a)

Service operations to be performed before customer delivery are specified in the applicable model year PREDELIVERY AND SET-UP MANUAL.

The performance of new motorcycle initial service is required to keep warranty in force and to ensure proper emissions systems operation. See [1.2 MAINTENANCE SCHEDULE](#).

SAFE OPERATING MAINTENANCE

NOTES

- Do not attempt to retighten engine head bolts. Retightening can cause engine damage.
- During the initial break-in period, use only Harley-Davidson 20W50 engine oil. Failure to use the recommended oil will result in improper break-in of the engine cylinders and piston rings.

A careful check of certain equipment is necessary after periods of storage, and frequently between regular service intervals, to determine if additional maintenance is required.

Check:

1. Tires for abrasions, cuts and correct pressure.
2. Secondary drive belt for proper tension and condition.
3. Brakes, steering and throttle for responsiveness.
4. Brake fluid level and condition. Hydraulic lines and fittings for leaks. Also, check brake pads and rotors for wear.
5. Cables for fraying, crimping and free operation.
6. Engine oil and transmission fluid levels.
7. Headlamp, auxiliary lamp, tail lamp, brake lamp, horn and turn signal operation.

SHOP PRACTICES

Repair Notes

General maintenance practices are given in this section.

NOTES

- *Repair = Disassembly/Assembly.*
- *Replacement = Substitute a **new** part for existing component.*

All special tools and torque values are noted at the point of use.

All required parts or materials can be found in the appropriate PARTS CATALOG.

Safety

Safety is always the most important consideration when performing any job. Be sure you have a complete understanding of the task to be performed. Use common sense. Use the proper tools. Protect yourself and bystanders with approved eye protection. Don't just do the job - do the job safely.

Removing Parts

Always consider the weight of a part when lifting. Use a hoist whenever necessary. Do not lift heavy parts by hand. A hoist and adjustable lifting beam or sling are needed to remove some parts. The lengths of chains or cables from the hoist to the part should be equal and parallel and should be positioned directly over the center of the part. Be sure that no obstructions will interfere with the lifting operation. Never leave a part suspended in mid-air.

WARNING

Be sure to check capacity rating and condition of hoists, slings, chains and cables before use. Exceeding capacity ratings or using lifting devices that are in poor condition can lead to an accident, which could result in death or serious injury. (00466c)

Always use blocking or proper stands to support the part that has been hoisted. If a part cannot be removed, verify that all bolts and attaching hardware have been removed. Check to see if any parts are in the way of the part being removed.

When removing hoses, wiring or tubes, always tag each part to ensure proper installation.

Cleaning

If you intend to reuse parts, follow good shop practice and thoroughly clean the parts before assembly. Keep all dirt out of parts; the unit will perform better and last longer. Seals, filters and covers are used in this vehicle to keep out environmental dirt and dust. These items must be kept in good condition to ensure satisfactory operation.

When you are instructed in a step to clean fastener threads or threaded holes, proceed as follows: Clean all LOCTITE material from fastener threads and threaded holes. Use a wire brush to clean fastener threads. Use a thread chaser or other suitable tool to clean threaded holes. Use PJ-1 cleaner or equivalent to remove all traces of oil and contaminants from threads. Blow out all threaded holes with low pressure compressed air.

Clean and inspect all parts as they are removed. Be sure all holes and passages are clean and open. After cleaning, cover all parts with clean lint-free cloth, paper or other material. Be sure the part is clean when it is installed.

Always clean around lines or covers before they are removed. Plug, tape or cap holes and openings to keep out dirt, dust and debris.

Always verify cleanliness of blind holes before assembly. Tightening a screw with dirt, water or oil in the hole can cause castings to crack or break.

Disassembly and Assembly

Always assemble or disassemble one part at a time. Do not work on two assemblies simultaneously. Be sure to make all necessary adjustments. Recheck your work when finished. Be sure that everything is done.

Operate the vehicle to perform any final check or adjustments. If all is correct, the vehicle is ready to go back to the customer.

Checking Torques on Fasteners with Lock Patches

To check the torque on a fastener that has a lock patch:

1. Set the torque wrench for the lowest setting in the specified torque range.
2. Attempt to tighten fastener to set torque. If fastener does not move and lowest setting is satisfied (torque wrench clicks), then the proper torque has been maintained.

Magnetic Parts Trays

Magnetic parts trays are becoming common in the service facility because they are convenient and can keep parts from becoming lost during a repair procedure.

However, hardened steel parts can become magnetized when held in magnetic parts trays. Metal fragments that would ordinarily be washed away in the oil and trapped in the oil filter or magnetic drain plug during vehicle operation could be captured by magnetized parts in the engine, potentially causing accelerated engine wear and damage.

Parts that will be returned to service inside the vehicle's powertrain such as gears, thrust washers and especially bearings should never be kept in magnetic parts trays.

REPAIR AND REPLACEMENT PROCEDURES

Hardware and Threaded Parts

Install helical thread inserts when inside threads in castings are stripped, damaged or not capable of withstanding specified torque.

Replace bolts, nuts, studs, washers, spacers and small common hardware if missing or in any way damaged. Clean up or repair minor thread damage with a suitable tap or die.

Replace all damaged or missing lubrication fittings.

Use Teflon pipe sealant or LOCTITE 565 THREAD SEALANT on pipe fitting threads.

Threadlocking Agents

Always follow specific service manual procedures when working with fasteners containing preapplied threadlocking agents when fastener replacement is recommended. When re-using fasteners containing threadlocking agents, be sure to completely remove all existing threadlocking agent from fastener threads with a wire brush or wire wheel. Also, be sure to remove residual threadlocking agent from fastener hole using an appropriate thread chasing device and compressed air when using new or existing fasteners. Always use the recommended threadlocking agent for your specific procedure.

Wiring, Hoses and Lines

Hoses, clamps, electrical wiring, electrical switches or fuel lines if they do not meet specifications.

Instruments and Gauges

Replace broken or defective instruments and gauges. Replace dials and glass that are so scratched or discolored that reading is difficult.

Bearings

Anti-friction bearings must be handled in a special way. To keep out dirt and abrasives, cover the bearings as soon as they are removed from the package.

Wash bearings in a non-flammable cleaning solution. Knock out packed lubricant inside by tapping the bearing against a wooden block. Wash bearings again. Cover bearings with clean material after setting them down to dry. Never use compressed air to dry bearings.

Coat bearings with clean oil. Wrap bearings in clean paper.

When bearings are installed against shoulders, be sure that the chamfered side of the bearing always faces the shoulder. Lubricate bearings and all metal contact surfaces before pressing into place. Only apply pressure on the part of the bearing that makes direct contact with the mating part. Install bearings with numbered side facing out.

Always use the proper tools and fixtures for removing and installing bearings.

Bearings do not usually need to be removed. Only remove bearings if necessary.

Bushings

Do not remove a bushing unless damaged, excessively worn or loose in its bore. Press out bushings that must be replaced.

When pressing or driving bushings, be sure to apply pressure in line with the bushing bore. Use a bearing/bushing driver or a bar with a smooth, flat end. Never use a hammer to drive bushings.

Inspect the bushing and the mated part for oil holes. Be sure all oil holes are properly aligned.

Gaskets

Always discard gaskets after removal. Replace with **new** gaskets. Never use the same gasket twice. Be sure that gasket holes match up with holes in the mating part. But be aware that sections of a gasket may be used to seal passages.

If a gasket must be made, be sure to cut holes that match up with the mating part. Serious damage can occur if any flange holes are blocked by the gasket. Use material that is the right type and thickness.

Lip Type Seals

Lip seals are used to seal oil or grease and are usually installed with the sealing lip facing the contained lubricant. Seal orientation, however, may vary under different applications.

Seals should not be removed unless necessary. Only remove seals if required to gain access to other parts or if seal damage or wear dictates replacement.

Leaking oil or grease usually means that a seal is damaged. Replace leaking seals to prevent overheated bearings.

Always discard seals after removal. Do not use the same seal twice.

O-Rings (Preformed Packings)

Always discard O-rings after removal. Replace with **new** O-rings. To prevent leaks, lubricate the O-rings before installation. Apply the same type of lubricant as that being sealed. Be sure that all gasket, O-ring and seal mating surfaces are thoroughly clean before installation.

Gears

Always check gears for damaged or worn teeth.

Remove burrs and rough spots with a honing stone or crocus cloth before installation.

Lubricate mating surfaces before pressing gears on shafts.

Shafts

If a shaft does not come out easily, check that all nuts, bolts or retaining rings have been removed. Check to see if other parts are in the way before using force.

Shafts fitted to tapered splines should be very tight. If shafts are not tight, disassemble and inspect tapered splines. Discard parts that are worn. Be sure tapered splines are clean, dry and free of burrs before putting them in place. Press mating parts together tightly.

Clean all rust from the machined surfaces of new parts.

Part Replacement

Always replace worn or damaged parts with **new** parts.

Exhaust System Leakage

In the event of an exhaust system leak at a muffler or header pipe connection location, disassemble and clean all mating surfaces. Replace any damaged components. If leak still exists, disassemble and repair the leak by applying a bead of Harley-Davidson High-Performance Sealant (Part No. 99650-02) (or an equivalent O2/Catalyst-safe alternative). Reassemble components, wipe off any excess sealant and allow adequate curing time following sealant product instructions before operating vehicle.

CLEANING

Part Protection

Before cleaning, protect rubber parts (such as hoses, boots and electrical insulation) from cleaning solutions. Use a grease-proof barrier material. Remove the rubber part if it cannot be properly protected.

Cleaning Process

Any cleaning method may be used as long as it does not result in parts damage. Thorough cleaning is necessary for proper parts inspection. Strip rusted paint areas to bare metal before priming and repainting.

Rust or Corrosion Removal

Remove rust and corrosion with a wire brush, abrasive cloth, sand blasting, vapor blasting or rust remover. Use buffing crocus cloth on highly polished parts that are rusted.

Bearings

Remove shields and seals from bearings before cleaning. Clean bearings with permanent shields and seals in solution.

WARNING

Using compressed air to "spin dry" bearings can cause bearing to fly apart, which could result in death or serious injury. (00505b)

Clean open bearings by soaking them in a petroleum cleaning solution. Never use a solution that contains chlorine.

Let bearings stand and dry. Do not dry with compressed air. Do not spin bearings while they are drying.

TOOL SAFETY

Air Tools

- Always use approved eye protection equipment when performing any task using air-operated tools.
- On all power tools, use only recommended accessories with proper capacity ratings.
- Do not exceed air pressure ratings of any power tools.
- Bits should be placed against work surface before air hammers are operated.
- Disconnect the air supply line to an air hammer before attaching a bit.
- Never point an air tool at yourself or another person.
- Protect bystanders with approved eye protection.

Wrenches

- Never use an extension on a wrench handle.
- If possible, always pull on a wrench handle and adjust your stance to prevent a fall if something lets go.
- Never cock a wrench.
- Never use a hammer on any wrench other than a STRIKING FACE wrench.
- Discard any wrench with broken or battered points.
- Never use a pipe wrench to bend, raise or lift a pipe.

Pliers/Cutters/Pry bars

- Plastic- or vinyl-covered pliers handles are not intended to act as insulation. Do not use on live electrical circuits.
- Do not use pliers or cutters for cutting hardened wire unless they were designed for that purpose.
- Always cut at right angles.
- Do not use any pry bar as a chisel, punch or hammer.

Hammers

- Never strike a hammer against a hardened object, such as another hammer.
- Always grasp a hammer handle firmly, close to the end.
- Strike the object with the full face of the hammer.
- Never work with a hammer which has a loose head.
- Discard hammer if face is chipped or mushroomed.
- Wear approved eye protection when using striking tools.
- Protect bystanders with approved eye protection.

Punches/Chisels

- Never use a punch or chisel with a chipped or mushroomed end; dress mushroomed chisels and punches with a file.
- Hold a chisel or a punch with a tool holder if possible.
- When using a chisel on a small piece, clamp the piece firmly in a vise and chip toward the stationary jaw.
- Wear approved eye protection when using these tools.
- Protect bystanders with approved eye protection.

Screwdrivers

- Do not use a screwdriver for prying, punching, chiseling, scoring or scraping.
- Use the right type of screwdriver for the job; match the tip to the fastener.
- Do not interchange POZIDRIV, PHILLIPS or REED AND PRINCE screwdrivers.
- Screwdriver handles are not intended to act as insulation. Do not use on live electrical circuits.
- Do not use a screwdriver with rounded edges because it will slip. Redress with a file.

Ratchets and Handles

- Periodically clean and lubricate ratchet mechanisms with a light grade oil. Do not replace parts individually; ratchets should be rebuilt with the entire contents of service kit.
- Never hammer or put a pipe extension on a ratchet or handle for added leverage.
- Always support the ratchet head when using socket extensions, but do not put your hand on the head or you may interfere with the action of its reversing mechanism.
- When breaking loose a fastener, apply a small amount of pressure as a test to be sure the ratchet's gear wheel is engaged with the pawl.

Sockets

- Never use hand sockets on power or impact wrenches.
- Select the right size socket for the job.
- Never cock any wrench or socket.
- Select only impact sockets for use with air or electric impact wrenches.
- Replace sockets showing cracks or wear.
- Keep sockets clean.
- Always use approved eye protection when using power or impact sockets.

Storage Units

- Do not open more than one loaded drawer at a time. Close each drawer before opening up another.
- Close lids and lock drawers and doors before moving storage units.
- Do not pull on a tool cabinet; push it in front of you.
- Set the brakes on the locking casters after the cabinet has been rolled to your workspace.

MAINTENANCE SCHEDULE

1.2

GENERAL

The table below lists the periodic maintenance requirements for Dyna model motorcycles. If you are familiar with the procedures, just refer to the table for the recommended service interval. If necessary, see the quick reference table ([Table 1-2](#)) for the required specifications.

If more detailed information is needed, turn to the sections which follow for step-by-step instructions.

Also, throughout this manual, you will be instructed to use various lubricants, greases and sealants. Refer to [Table 1-3](#) for the correct part numbers of these items.

Table 1-1. Regular Service Intervals: 2008 Dyna Models

ITEM SERVICED	PROCEDURE	1000 MI. 1600 KM	5000 MI. 8000 KM	10,000 MI. 16,000 KM	15,000 MI. 24,000 KM	20,000 MI. 32,000 KM	25,000 MI. 40,000 KM	NOTES
Engine oil and filter	Replace	X	X	X	X	X	X	
Air cleaner	Inspect, service as required	X	X	X	X	X	X	
Tires	Check pressure, inspect tread	X	X	X	X	X	X	
Wheel spokes	Check tightness	X	X			X		1, 4
Primary chaincase lubricant	Replace	X		X		X		
Transmission lubricant	Replace	X				X		
Clutch	Check adjustment	X	X	X	X	X	X	1
Rear belt and sprockets	Inspect, adjust belt	X	X	X	X	X	X	1
Throttle, brake and clutch controls	Check, adjust and lubricate	X	X	X	X	X	X	1
Jiffy stand	Inspect and lubricate	X		X		X		1
Fuel, lines and fittings	Inspect for leaks	X	X	X	X	X	X	1
Fuel pump filter	Replace						X	1
Brake fluid	Check levels and condition	X	X	X	X	X	X	5
Brake pads and discs	Inspect for wear	X	X	X	X	X	X	
Spark plugs	Inspect	X	X	X	X	X	X	
	Replace					X		
Electrical equipment and switches	Check operation	X	X	X	X	X	X	
Front fork oil	Replace							1, 6
Steering head bearings	Adjust	X		X		X		1, 2
Rear fork bearings		Inspect every 30,000 miles (48,000 kilometers)						1
Critical fasteners	Check tightness	X		X		X		1
Engine mounts and stabilizer links	Inspect			X		X		1
Battery	Check battery and clean connections							3
Exhaust system	Inspect for leaks, cracks, and loose or missing fasteners or heat shields	X	X	X	X	X	X	3
Road test	Verify component and system functions	X	X	X	X	X	X	
NOTES:	1. Should be performed by an authorized Harley-Davidson dealer, unless you have the proper tools, service data and are mechanically qualified. 2. Disassemble, lubricate and inspect every 30,000 miles (48,000 kilometers). 3. Perform annually. 4. Not all vehicles are equipped with spoke wheels. Consult appropriate topic in service manual. 5. Replace D.O.T. 4 HYDRAULIC BRAKE FLUID and flush system every two (2) years. 6. Disassemble, lubricate and inspect every 50,000 miles (80,000 kilometers).							

Table 1-2. Quick Reference Maintenance Chart

ITEM SERVICED	SPECIFICATION	DATA
Engine oil and filter	Drain plug torque	14-21 ft-lbs (19.0-28.5 Nm)
	Oil capacity	3 qt. (2.4 L)
	Filter	Hand tighten 1/2-3/4 turn after gasket contact
	Chrome filter part number	63798-99A
	Black filter part number	63731-99A
Primary chain lubricant	Lubricant capacity	32 oz. (0.95 liters)
	Primary chaincase drain plug torque	14-21 ft-lbs (19.0-28.5 Nm)
Clutch adjustment	Free play at adjuster screw	1/2-1 turn
	Adjuster screw locknut torque	72-120 in-lbs (8.1-13.6 Nm)
	Free play at hand lever	1/16-1/8 in. (1.6-3.2 mm)
	Clutch inspection cover torque	84-108 in-lbs (9.5-12.2 Nm)
Transmission lubricant	Lubricant level	Check with motorcycle at normal operating temperature and parked on jiffy stand. Remove and wipe off dipstick. Place dipstick in filler hole with filler plug resting on threads and remove. Lubricant level should be between upper and lower ends of the oil level indicator marks on the dipstick.
	Lubricant capacity	32 oz (0.95 liters)
	Transmission drain plug torque	14-21 ft-lbs (19.0-28.5 Nm)
	Filler/check plug torque	25-75 in-lbs (2.8-8.5 Nm)
Tire condition and pressure	Pressure for solo rider All except FXDF	Front: 30 psi (207 kPa) Rear: 36 psi (248 kPa)
	Pressure for rider and passenger All except FXDF	Front: 30 psi (207 kPa) Rear: 40 psi (276 kPa)
	Pressure for solo rider FXDF	Front: 36 psi (248 kPa) Rear: 36 psi (248 kPa)
	Pressure for rider and passenger FXDF	Front: 36 psi (248 kPa) Rear: 40 psi (276 kPa)
	Wear	Replace tire if 1/32 in. (0.8 mm) or less of tread pattern remains
Wheel spokes	Spoke nipple torque	55-65 in-lbs (6.5-7.3 Nm)
Brake fluid reservoir level	D.O.T. 4 hydraulic brake fluid part numbers	99953-99A (12 oz.)
	Proper fluid level	1/8-1/4 in. (3.2-6.4 mm) below gasket surface
	Master cylinder reservoir cover torque	6-8 in-lbs (0.7-0.9 Nm)
Brake pad linings and discs	Minimum brake pad thickness	0.04 in. (1.02 mm)
	Minimum brake disc thickness	See stamp on side of disc
Drive belt	Upward measurement force applied at midpoint of bottom of belt strand	10 lb. (4.5 kg)
	With motorcycle On jiffy stand without rider or luggage	FXD, FXDWG, FXDF- 5/16-3/8 in. (7.9-9.5 mm) FXDB, FXDC, FXDL- 1/4-5/16 in. (6.4-7.9 mm)
	Vehicle upright with rear wheel in air	FXD, FXDWG, FXDF- 1/2-9/16 in. (12.7-14.3 mm) FXDB, FXDC, FXDL- 5/16-3/8 in. (7.9-9.5 mm)
Air cleaner	Air cleaner cover bracket screw torque	40-60 in-lbs (4.5-6.8 Nm)
	Air cleaner cover screw torque	36-60 in-lbs (4.1-6.8 Nm)
	Adhesive for air cleaner cover screw	LOCTITE THREADLOCKER 243 Part No. 99642-97 (6 ml)
Clutch and throttle cables	Lubricant	SUPER OIL Part No. 94968-85TV (1/4 fl. oz.)
	Handlebar switch housing screw torque	35-45 in-lbs (4.0-5.1 Nm)

Table 1-2. Quick Reference Maintenance Chart

ITEM SERVICED	SPECIFICATION	DATA
Spark plugs	Type	HD-6R12
	Gap	0.038-0.043 in. (0.97-1.09 mm)
	Torque	12-18 ft-lbs (16.3-24.4 Nm)
Engine idle speed	Idle speed	950-1050 RPM
Front fork oil	Amount	See 2.17 FRONT FORK .
	Type	HYDRAULIC FORK OIL (TYPE E) Part No. 99884-80 (16 oz.)
Battery	Battery terminal torque	60-96 in-lbs (6.8-10.9 Nm)

Table 1-3. Lubricants, Greases, Sealants

ITEM	PART NUMBER	PACKAGE
Anti-Seize Lubricant	98960-97	1 oz squeeze tube
CCI #20 Brake Grease	42830-05 (included in master cylinder rebuild kit)	squeeze packet
D.O.T. 4 Brake Fluid	99953-99A	12 oz. bottle
Electrical Contact Lubricant	99861-02	1 oz squeeze tube
Genuine Harley-Davidson Formula+ Transmission and Primary Chaincase Lubricant	99851-05	1 qt bottle
G40M Brake Grease	42820-04	squeeze packet
Gray High Performance Sealant	99650-02	1.9 oz squeeze tube
HYLOMAR Gasket and Thread Sealant	99653-85	3.5 oz tube
Loctite Pipe Sealant With Teflon 565	99818-97	6 ml squeeze tube
Loctite Prism Primer (770)		
Loctite Prism Superbonder (411)		
Loctite Superbonder 420 Adhesive		
Loctite Threadlocker 243 (blue)	99642-97	6 ml squeeze tube
Loctite Threadlocker 262 (red)	94759-99	6 ml squeeze tube
Loctite Threadlocker 272	98618-03	10 ml bottle
Special Purpose Grease	99857-97	14 oz. cartridge
Super Oil	94968-85TV	1/4 fl. oz
Type "E" Hydraulic Fork Oil	99884-80	16 oz bottle

FUEL

Refer to [Table 1-4](#). Always use a good quality unleaded gasoline. Octane ratings are usually found on the pump.

⚠ WARNING

Avoid spills. Slowly remove filler cap. Do not fill above bottom of filler neck insert, leaving air space for fuel expansion. Secure filler cap after refueling. Gasoline is extremely flammable and highly explosive, which could result in death or serious injury. (00028a)

⚠ WARNING

Use care when refueling. Pressurized air in fuel tank can force gasoline to escape through filler tube. Gasoline is extremely flammable and highly explosive, which could result in death or serious injury. (00029a)

Modern service station pumps dispense a high flow of gasoline into a motorcycle fuel tank making air entrapment and pressurization a possibility.

Table 1-4. Octane Ratings

SPECIFICATION	RATING
Pump Octane (R+M)/2	91 (95 RON)

GASOLINE BLENDS

Your motorcycle was designed to get the best performance and efficiency using unleaded gasoline. Most gasoline is blended with alcohol and/or ether to create oxygenated blends. The type and amount of alcohol or ether added to the fuel is important.

CAUTION

Do not use gasoline that contains methanol. Doing so can result in fuel system component failure, engine damage and/or equipment malfunction. (00148a)

- Gasoline containing METHYL TERTIARY BUTYL ETHER (MTBE): Gasoline/MTBE blends are a mixture of gasoline

and as much as 15% MTBE. Gasoline/MTBE blends can be used in your motorcycle.

- ETHANOL is a mixture of 10% ethanol (Grain alcohol) and 90% unleaded gasoline. Gasoline/ethanol blends can be used in your motorcycle if the ethanol content does **not** exceed 10%.
- REFORMULATED OR OXYGENATED GASOLINES (RFG): Reformulated gasoline is a term used to describe gasoline blends that are specifically designed to burn cleaner than other types of gasoline, leaving fewer tailpipe emissions. They are also formulated to evaporate less when you are filling your tank. Reformulated gasolines use additives to oxygenate the gas. Your motorcycle will run normally using this type of gas and Harley-Davidson recommends you use it when possible, as an aid to cleaner air in our environment.
- Do not use race gas or octane boosters. Use of these fuels will damage the fuel system.

Some gasoline blends might adversely affect the starting, driveability or fuel efficiency of the motorcycle. If any of these problems are experienced, try a different brand of gasoline or gasoline with a higher octane blend.

ENGINE LUBRICATION

CAUTION

Do not switch lubricant brands indiscriminately because some lubricants interact chemically when mixed. Use of inferior lubricants can damage the engine. (00184a)

Engine oil is a major factor in the performance and service life of the engine. Always use the proper grade of oil for the lowest temperature expected before the next scheduled oil change. Refer to [Table 1-5](#). Your authorized dealer has the proper oil to suit your requirements.

If it is necessary to add oil and Harley-Davidson oil is not available, use an oil certified for diesel engines. Acceptable diesel engine oil designations include: CF-4, CG-4, CH-4 and CI-4.

The preferred viscosities for the diesel engine oils in descending order are: 20W50, 15W40 and 10W40.

At the first opportunity, see an authorized dealer to change back to 100 percent Harley-Davidson oil.

Table 1-5. Recommended Engine Oils

H-D TYPE	VISCOSITY	H-D RATING	LOWEST AMBIENT TEMPERATURE	COLD WEATHER STARTS BELOW 50° F (10° C)
H-D Multi-grade	SAE 10W40	HD 360	Below 40° F (4° C)	Excellent
H-D Multi-grade	SAE 20W50	HD 360	Above 40° F (4° C)	Good
H-D Regular Heavy	SAE 50	HD 360	Above 60° F (16° C)	Poor
H-D Extra Heavy	SAE 60	HD 360	Above 80° F (27° C)	Poor

WINTER LUBRICATION

In colder climates, the engine oil should be changed often. If motorcycle is used frequently for short trips, less than 15 miles (24 kilometers), in ambient temperatures below 60° F (16° C), oil change intervals should be reduced to 1500 miles (2400 kilometers). Motorcycles used only for short runs must have a thorough tank flush-out before **new** oil is put in. The tank flush-out should be performed by an authorized dealer or qualified technician.

NOTE

The further below freezing the temperature drops, the shorter the oil change interval should be.

Water vapor is a normal by-product of combustion in any engine. During cold weather operation, some of the water vapor condenses to liquid form on the cool metal surfaces inside the engine. In freezing weather this water will become slush or ice and, if allowed to accumulate too long, may block the oil lines and cause damage to the engine.

If the engine is run frequently and allowed to thoroughly warm up, most of this water will become vapor again and will be blown out through the crankcase breather.

If the engine is not run frequently and allowed to thoroughly warm up, this water will accumulate, mix with the engine oil and form a sludge that is harmful to the engine.

CHECKING AND ADDING OIL

CAUTION

Oil level cannot be accurately measured on a cold engine. For pre-ride inspection, with motorcycle leaning on jiffy stand on level ground, oil should register on dipstick between arrows when engine is cold. Do not add oil to bring the level to the FULL mark on a COLD engine. (00185a)

Check engine oil level:

- As part of the pre-ride inspection.
- At each fuel fill.
- At every scheduled service interval.

Type of Oil

Refer to [Table 1-5](#). Use the proper grade of oil for the lowest temperature expected before the next oil change. For information regarding winter needs, see [1.3 FUEL AND OIL](#).

If it is necessary to add oil and Harley-Davidson oil is not available, use an oil certified for diesel engines. Acceptable diesel engine oil designations include CF-4, CG-4, CH-4 and CI-4. The preferred viscosities for the diesel engine oils, in descending order, are 20W50, 15W40 and 10W40. At the first opportunity, see a Harley-Davidson dealer to change back to 100 percent Harley-Davidson oil.

Checking with Cold Engine

1. See [Figure 1-1](#). Unscrew and remove engine oil filler cap with attached dipstick. Wipe dipstick clean.
2. Reinstall filler cap. Turn filler cap clockwise until it stops.
3. See [Figure 1-2](#). Again, unscrew and remove filler cap and check oil level on dipstick. If oil level in pan is below lower mark on dipstick, add enough Harley-Davidson oil to bring level up between lower mark (1) and cold check level (2) on dipstick.

NOTE

Be sure to clean oil from dipstick threads. If oil is present on dipstick threads, it can weep past dipstick o-ring. This condition may be incorrectly diagnosed as an oil leak.

4. Replace filler cap and screw in securely.

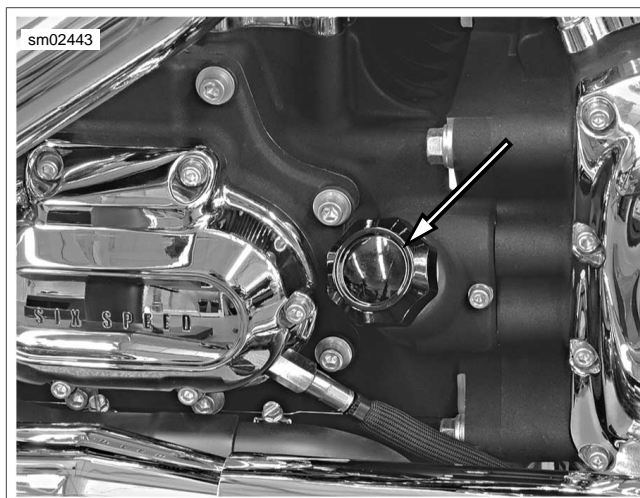
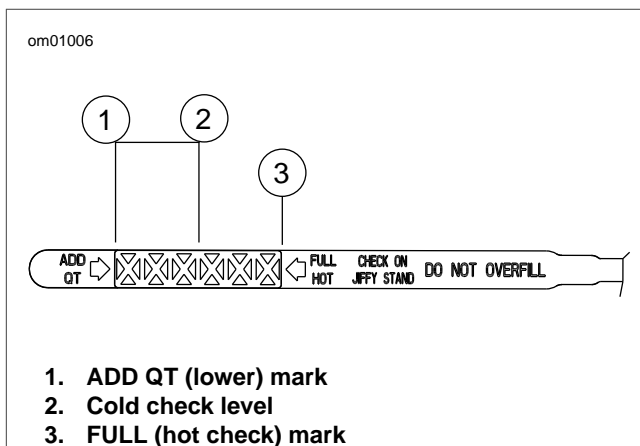


Figure 1-1. Checking Engine Oil Level



1. ADD QT (lower) mark
2. Cold check level
3. FULL (hot check) mark

Figure 1-2. Engine Oil Dipstick

Checking with Warm Engine

Ride motorcycle until engine is warmed up to operating temperature, then do the following.

1. Idle motorcycle on jiffy stand for 1-2 minutes.
2. Shut motorcycle off and with motorcycle leaning on jiffy stand on level ground, unscrew and remove engine oil filler cap with attached dipstick. Wipe dipstick clean.
3. Reinstall filler cap. Turn filler cap clockwise until it stops.
4. See [Figure 1-2](#). Again, unscrew and remove filler cap and check oil level on dipstick. If oil level in pan is below lower mark on dipstick, add enough Harley-Davidson oil to bring level up between lower mark (1) and cold check level (2) on dipstick.

NOTE

Be sure to clean oil from dipstick threads. If oil is present on dipstick threads, it can weep past dipstick o-ring. This condition may be incorrectly diagnosed as an oil leak.

5. Replace filler cap and screw in securely.

6. Add oil, if required, to FULL mark (3). Do not overfill.

CHANGING OIL AND FILTER

PART NUMBER	TOOL NAME
HD-42311	OIL FILTER WRENCH
HD-44067	OIL FILTER WRENCH

NOTES

- If the motorcycle is ridden hard, under dusty conditions, or in cold weather, the oil and filter should be changed more often.
 - All Dyna models are shipped from the factory with SAE 20W50 Harley-Davidson 360 Motor Oil.
 - All Dyna models come equipped from the factory with a premium 5 micron synthetic media oil filter, Part No. 63798-99 (Chrome) or 63731-99 (Black). These are the only recommended replacement filters.
1. Ride motorcycle until engine is warmed up to normal operating temperature.
 2. Unscrew and remove engine oil filler cap with attached dipstick.
 3. See [Figure 1-3](#). Remove the engine oil drain plug with oil-ring. Allow oil to drain into a suitable container.

CAUTION

Use Harley-Davidson oil filter wrench for filter removal. This tool can prevent damage to crankshaft position sensor and/or sensor cable. (00192b)

4. See [Figure 1-4](#). Remove the oil filter using the OIL FILTER WRENCH (Part No. HD-42311) or OIL FILTER WRENCH (Part No. HD-44067). Clean the oil filter mount flange of any old gasket material.

NOTE

On vehicles equipped with forward controls, shift linkage may have to be removed to provide enough clearance to remove and install oil filter.

5. See [Figure 1-5](#). Lube the gasket on **new** oil filter with engine oil and install **new** filter. Hand tighten oil filter 1/2 to 3/4 turn after gasket contacts filter mounting surface. Do NOT use oil filter wrench for oil filter installation.
6. See [Figure 1-3](#). Install oil pan drain plug (1).
 - a. Inspect o-ring for tears or damage. Replace if required. Wipe any foreign material from plug.
 - b. Install o-ring and drain plug. Tighten to 14-21 ft-lbs (19.0-28.5 Nm).
7. Fill oil pan with the correct amount of oil. Use the proper grade of oil for the lowest temperature expected before next oil change. Refer to [Table 1-5](#).
 - a. Use 2.5 quarts (2.4 liters) of engine oil for a wet capacity refill.
 - b. Use 3.0 quarts (2.7 liters) for a dry capacity refill.

NOTE

Use wet capacity for engines that have just had the oil drained. Use dry capacity for engines that have been disassembled, cleaned in solvent and dried.

8. Check engine oil level using cold check procedure.
9. Start engine and carefully check for oil leaks around drain plug and oil filter.
10. Check engine oil level using hot check procedure.

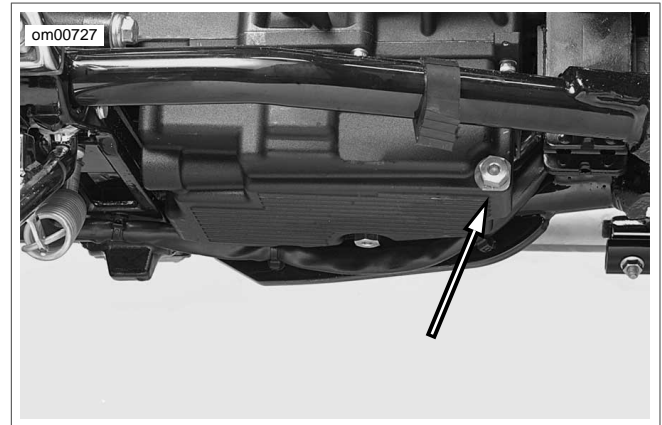


Figure 1-3. Engine Oil Drain Plug (oil pan under transmission, view from left side of vehicle)

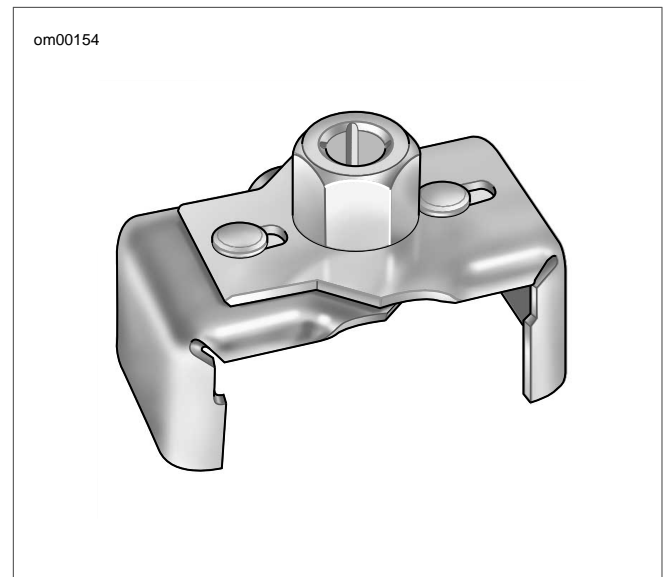


Figure 1-4. Oil Filter Wrench (Part No. HD-42311)

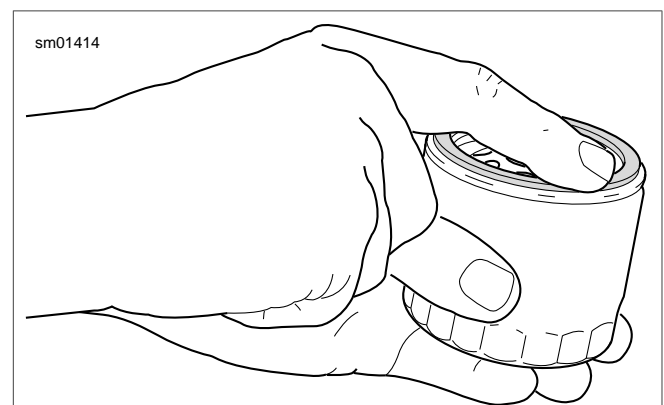


Figure 1-5. Lubricating New Oil Filter Gasket