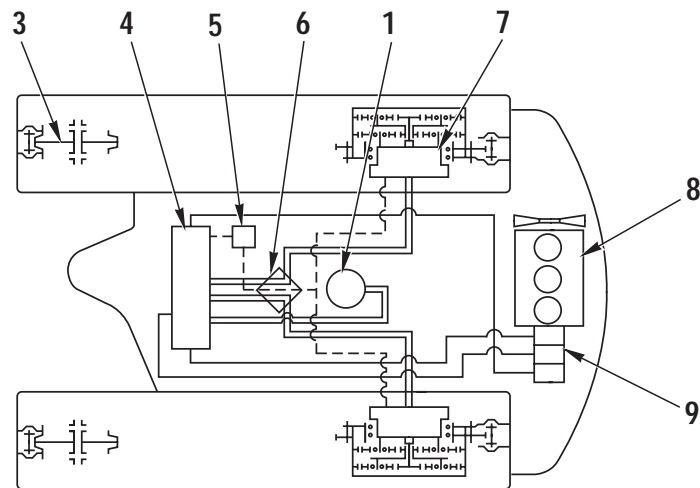
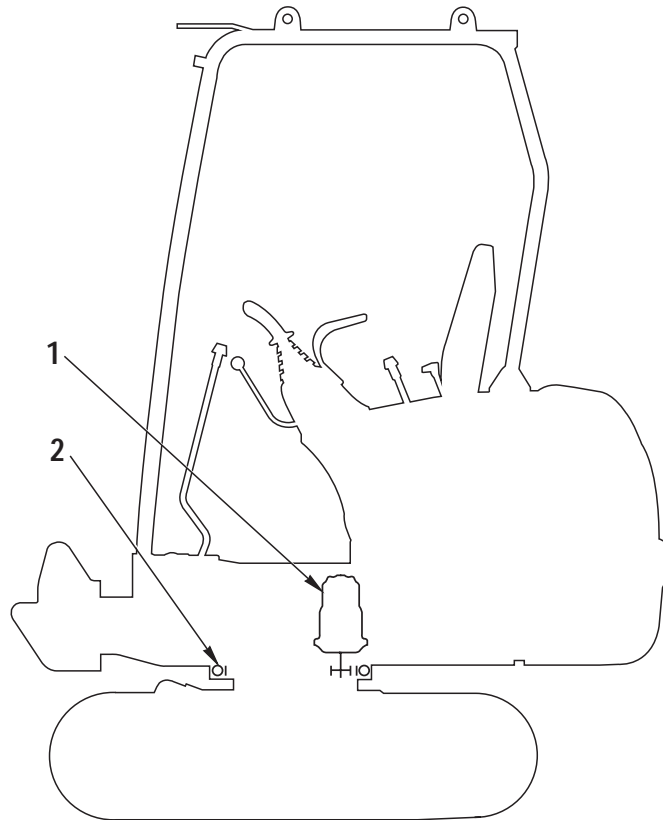


10 STRUCTURE AND FUNCTION

Power train		Control valve	
PC12R-8.....	2	PC15R-8.....	62
PC15R-8.....	3	PC15R-8 HS	
Swing circle.....	4	(with variable gauge undercarriage).....	64
Swing motor.....	5	CLSS.....	72
Final drive.....	6	Swivel joint	
Track frame and recoil spring.....	7	PC12R-8.....	89
Steel shoe.....	7	PC12R-8 MISTRAL (with travel increment).....	90
Rubber shoe.....	8	PC15R-8.....	90
Variable gauge track frame and recoil spring.....	9	PC12R-8 HS	
Rubber shoe.....	10	(with variable gauge undercarriage).....	91
Carrier roller.....	10	PC12R-8 MISTRAL HS	
Steel shoe.....	10	(with variable gauge undercarriage and	
Hydraulic system PC12R-8.....	13	travel increment).....	91
Hydraulic system PC15R-8.....	15	PC15R-8 HS	
Hydraulic circuit diagram PC12R-8.....	17	(with variable gauge undercarriage).....	91
Hydraulic circuit diagram PC12R-8 MISTRAL		Travel motor	
(with travel increment).....	19	PC12R-8.....	92
Hydraulic circuit diagram PC12R-8 HS		PC12R-8 (with travel increment).....	93
(with variable gauge undercarriage).....	21	PC15R-8.....	93
Hydraulic circuit diagram PC12R-8 MISTRAL HS		Cylinders.....	95
(with variable gauge undercarriage and		Variable gauge undercarriage.....	98
travel increment).....	23	Valve control.....	99
Hydraulic circuit diagram PC15R-8.....	25	Accumulator.....	100
Hydraulic circuit diagram PC15R-8 HS		PPC Valve.....	101
(with variable gauge undercarriage).....	27	Solenoid valve.....	106
Hydraulic circuit diagram (equipment).....	28	Variable gauge undercarriage control.....	109
Hydraulic pump.....	29	Safety valve.....	110
PC12R-8.....	30	Cutting shovel control valve.....	111
PC15R-8.....	30	Electrical circuit diagram.....	112
Control valve			
PC12R-8.....	34		
PC12R-8 MISTRAL (with travel increment).....	34		
Control valve			
PC12R-8 HS			
(with variable gauge undercarriage).....	36		
PC12R-8 MISTRAL HS			
(with variable gauge undercarriage and			
travel increment).....	36		
CLSS.....	44		

POWER TRAIN

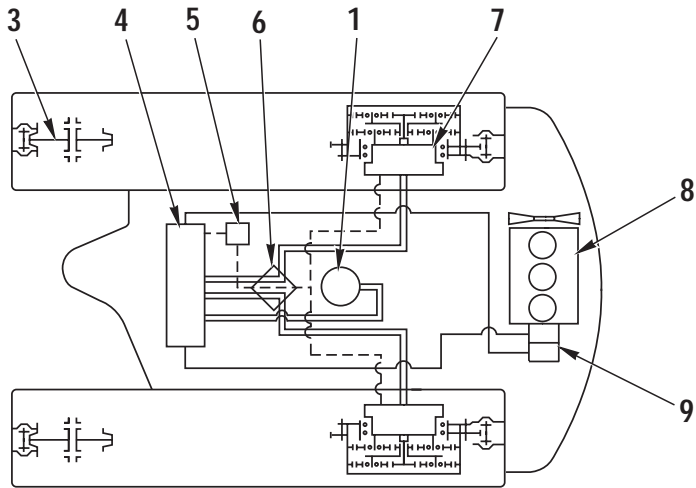
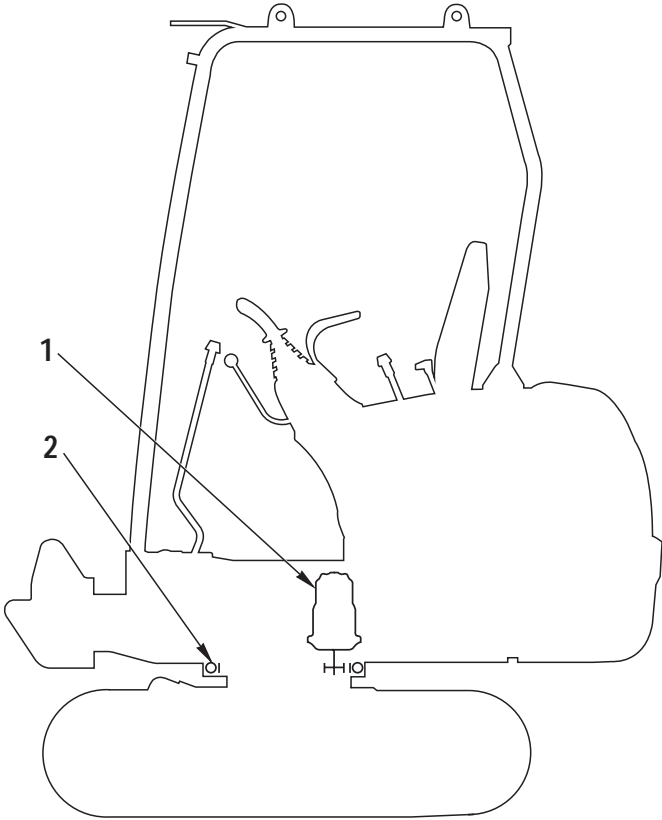
PC12R-8



RKP00010

- | | |
|--------------------------------------|-------------------|
| 1. Swing motor | 6. Swivel joint |
| 2. Swing circle | 7. Travel motor |
| 3. Track shoe idler | 8. Engine |
| 4. Control valve | 9. Hydraulic pump |
| 5. Travel increment valve (optional) | |

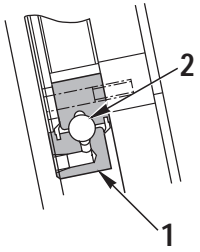
PC15R-8



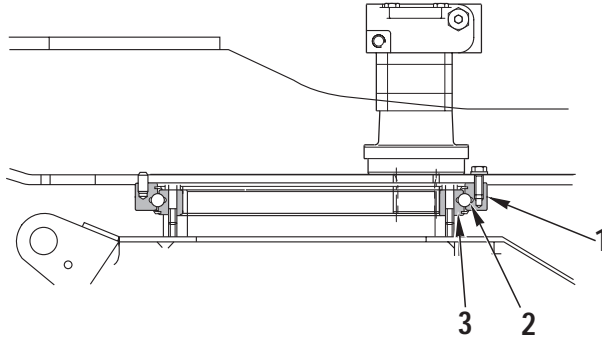
RKP00020

- 1. Swing motor
- 2. Swing circle
- 3. Track shoe idler
- 4. Control valve
- 5. Travel increment valve
- 6. Swivel joint
- 7. Travel motor
- 8. Engine
- 9. Hydraulic pump

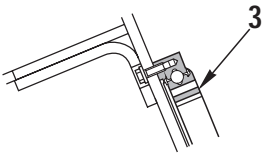
SWING CIRCLE



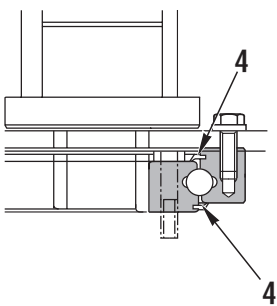
Section B-B



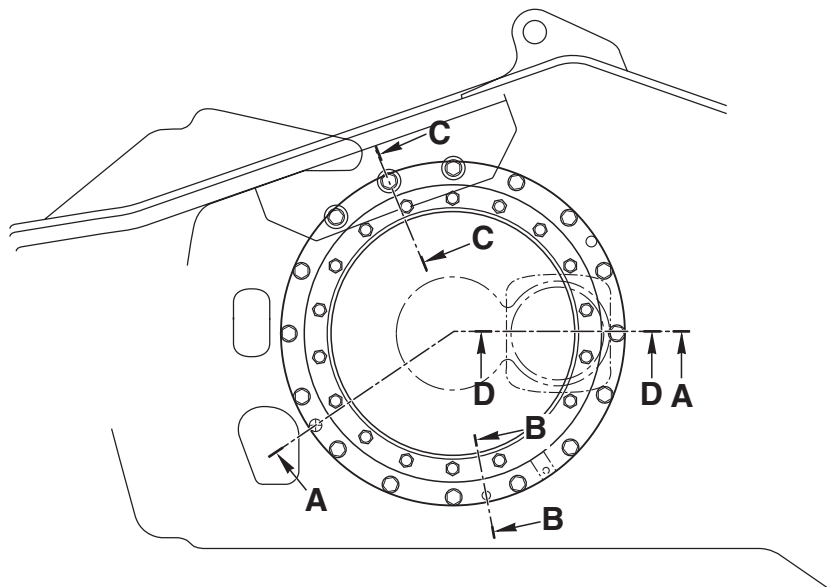
Section A-A



Section C-C



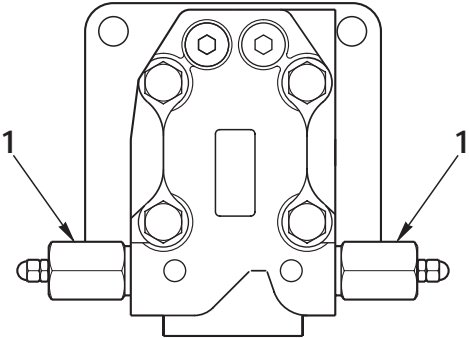
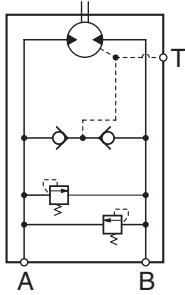
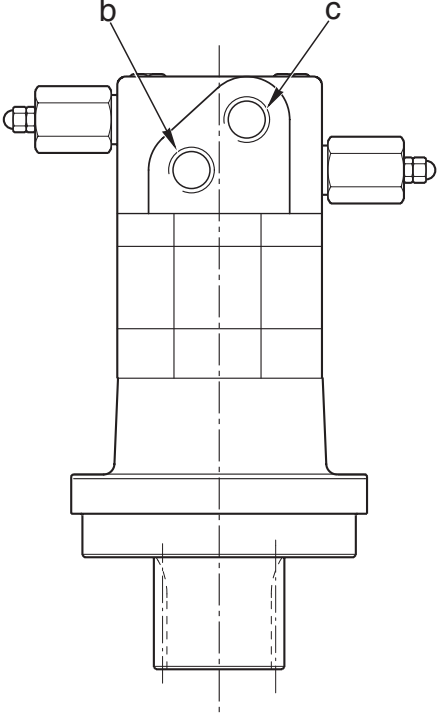
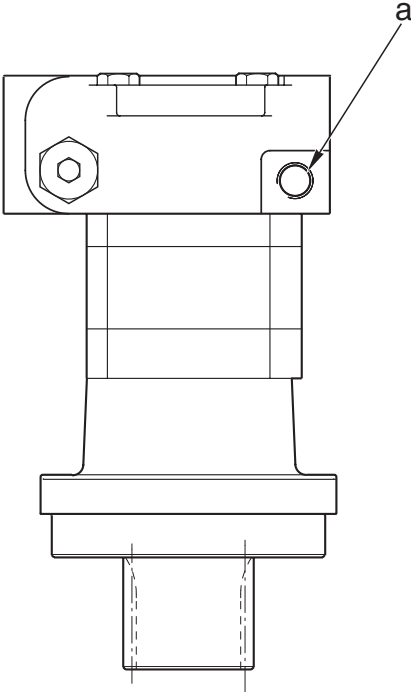
Section D-D



RKP00510

- 1. Outer race
- 2. Ball bearing
- 3. Inner race
- 4. Seal

SWING MOTOR



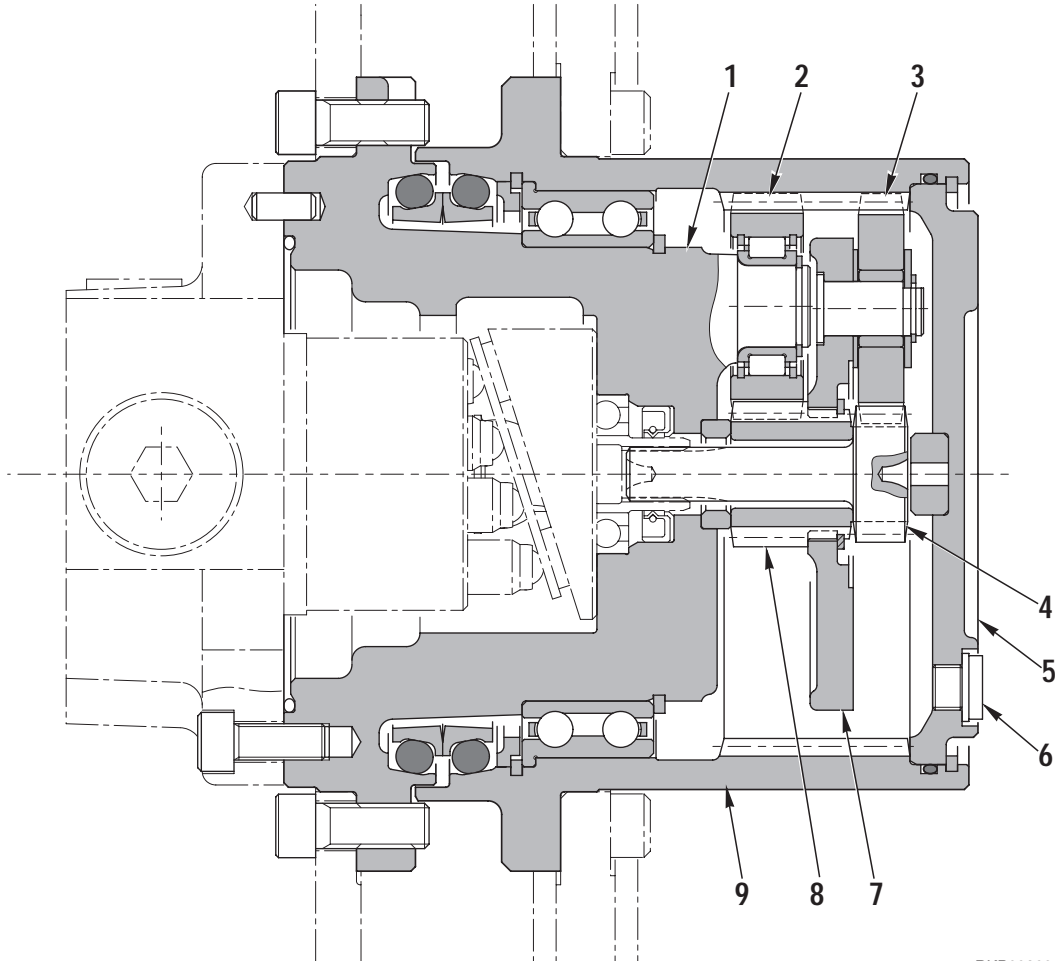
RKP00940

- 1. Safety valve
- a - T Port - To hydraulic tank
- b - B Port - From control valve (B2 Port)
- c - A Port - From control valve (A2 Port)

SPECIFICATIONS:
 Displacement: 195 cc/rev.

FINAL DRIVE

(★ The figure represent PC12R-8)



RKP00800

1. Crankcase
2. No. 2 reduction gear
3. No. 1 reduction gear
4. No. 1 sun gear
5. Cover
6. Oil drainage plug
7. No. 1 planetary gear
8. No. 2 sun gear
9. Housing

SPECIFICATIONS

PC12R-8

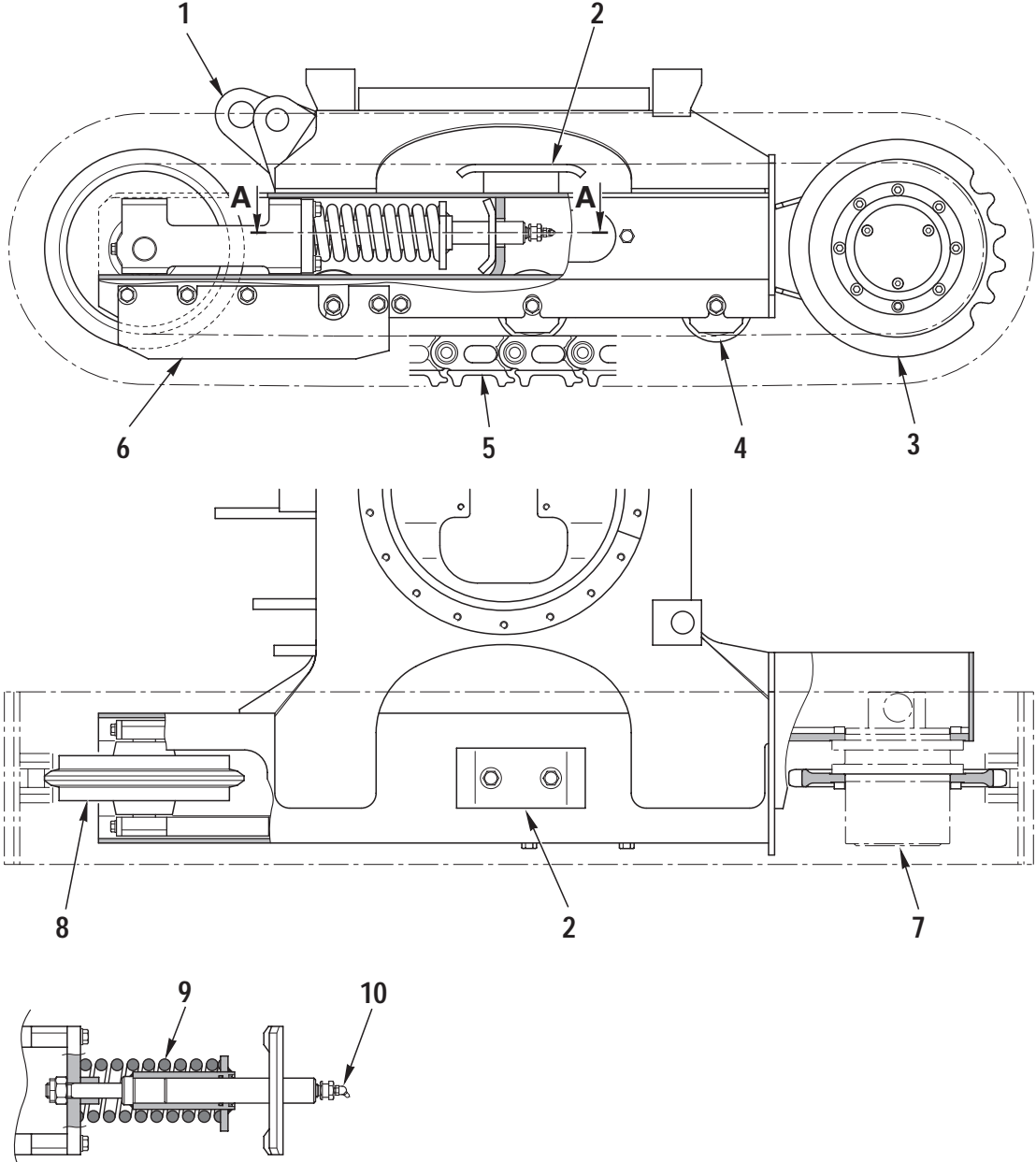
Reduction ratio: 1 - 31.77

PC15R-8

Reduction ratio: 1 - 37.22

TRACK FRAME AND RECOIL SPRING

For steel shoe

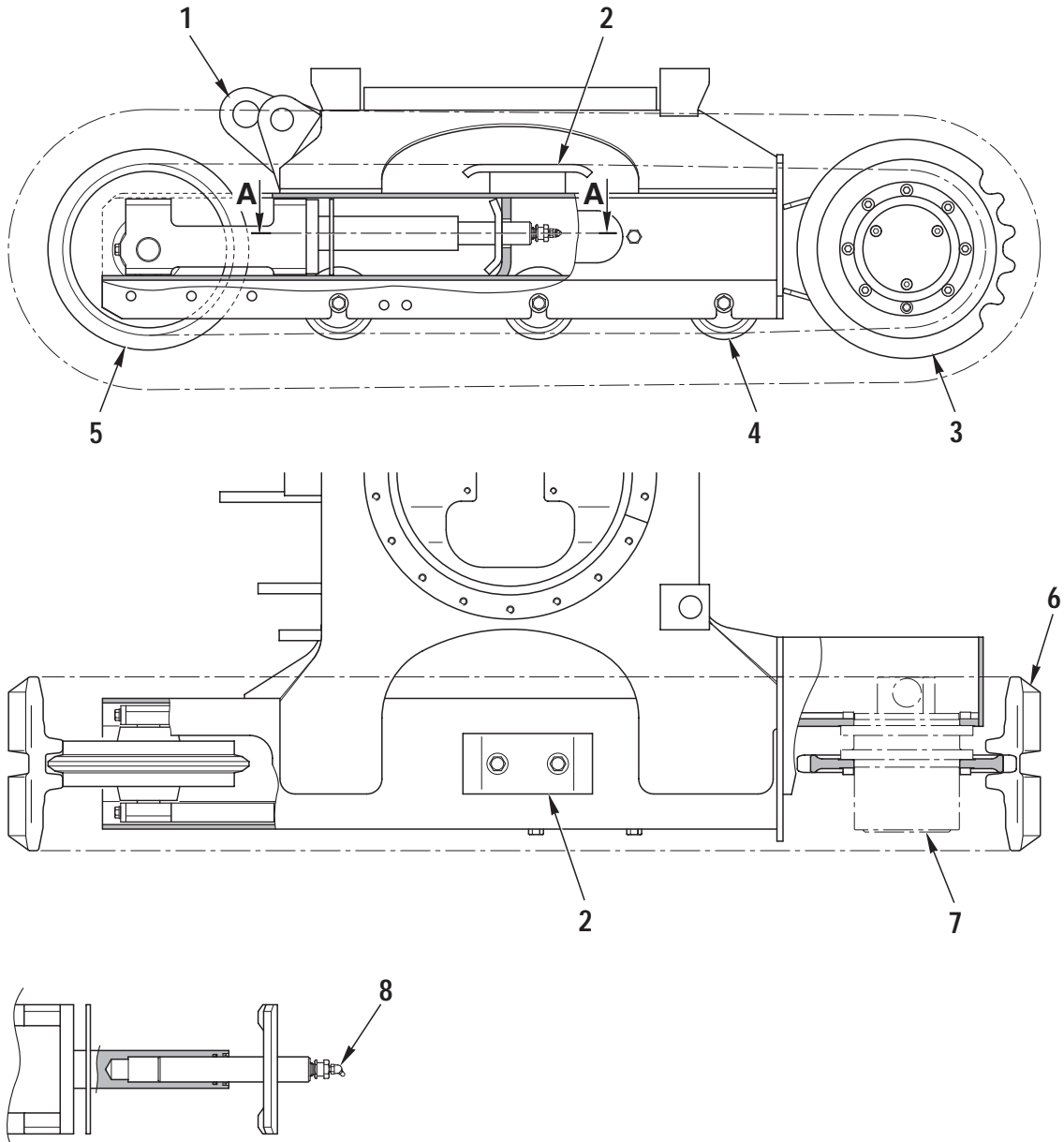


Section A - A

RKP00550

- 1. Track frame
- 2. Upper idler
- 3. Sprocket
- 4. Lower idler
- 5. Shoe
- 6. Guard
- 7. Final drive
- 8. Track shoe idler
- 9. Recoil spring
- 10. Grease nipple

For rubber shoe



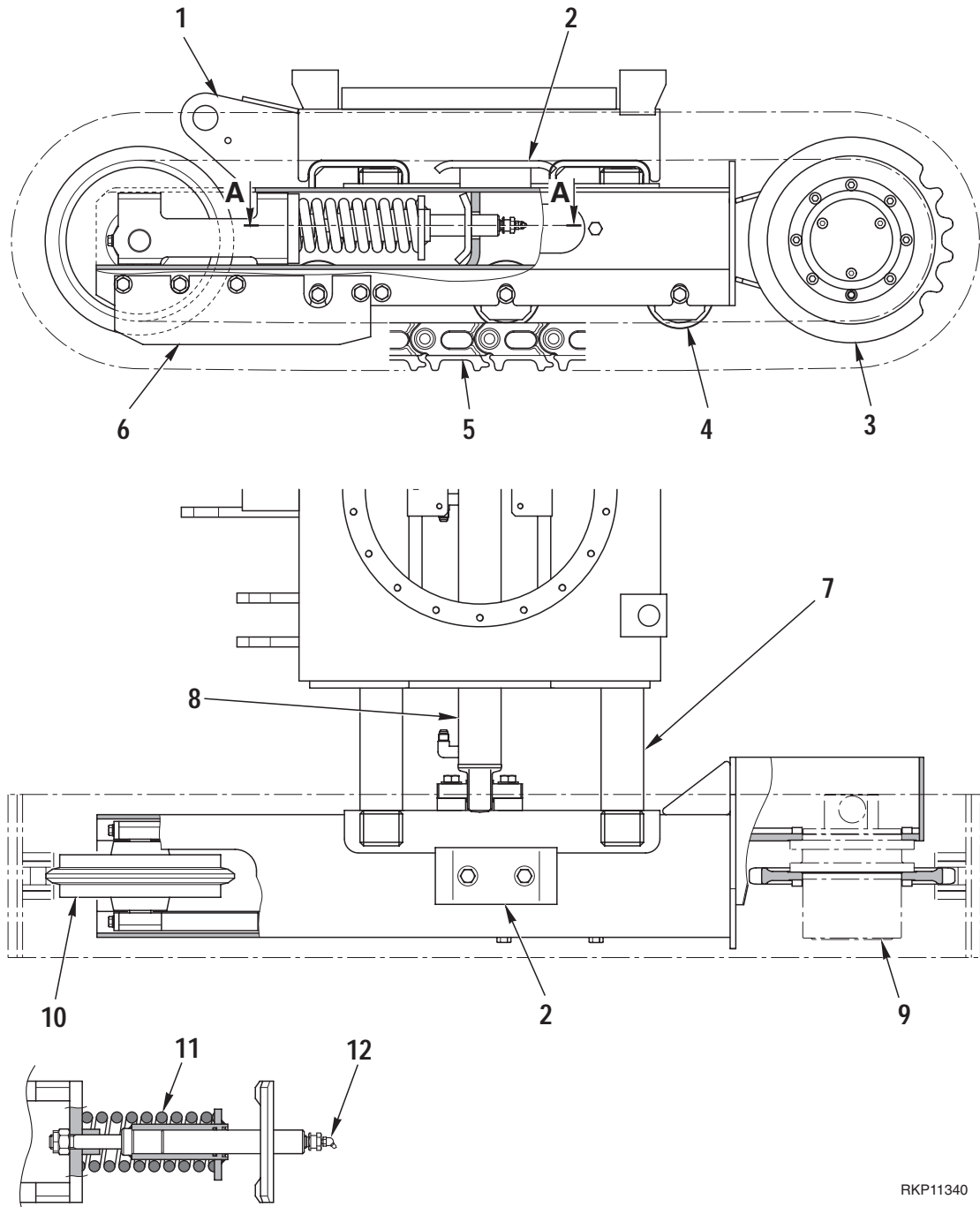
Section A - A

RKP00560

- 1. Track frame
- 2. Upper idler
- 3. Sprocket
- 4. Lower idler

- 5. Track shoe idler
- 6. Shoe
- 7. Final drive
- 8. Grease nipple

VARIABLE GAUGE TRACK FRAME AND RECOIL SPRING



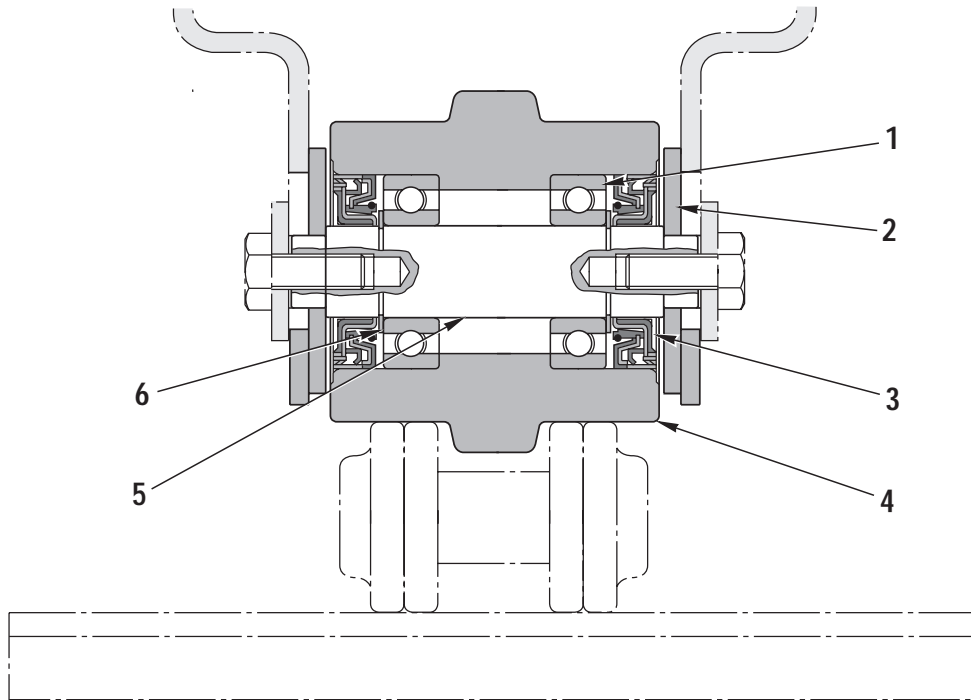
RKP11340

Section A - A

- | | |
|----------------|----------------------------------|
| 1. Track frame | 7. Variable gauge track |
| 2. Upper idler | 8. Variable gauge track cylinder |
| 3. Sprocket | 9. Final drive |
| 4. Lower idler | 10. Track shoe idler |
| 5. Shoe | 11. Recoil spring |
| 6. Guard | 12. Grease nipple |

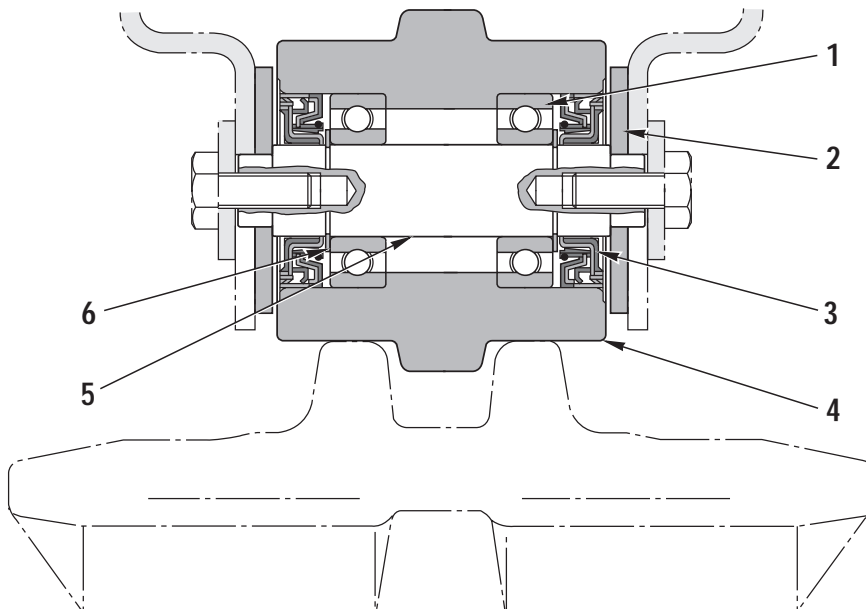
CARRIER ROLLER

For steel shoe



RKP00030

For rubber shoe

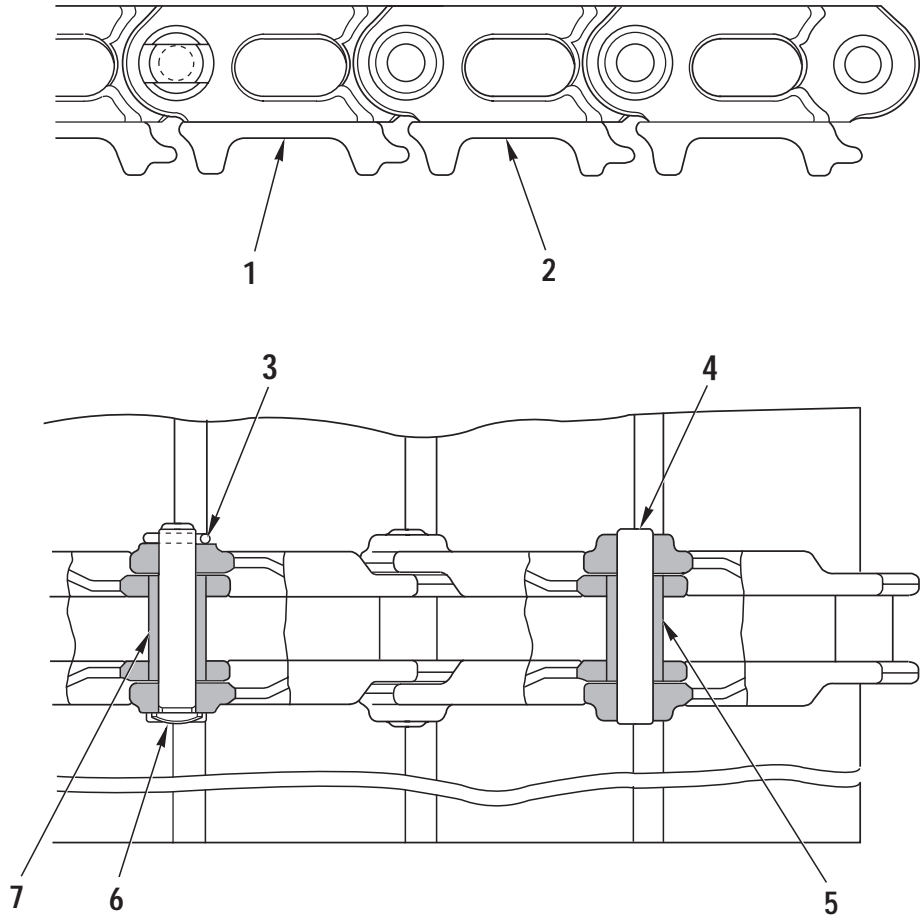


RKP00040

- 1. Bearing
- 2. Spacer
- 3. Seal

- 4. Roller
- 5. Shaft
- 6. Snap ring

STEEL SHOE



RKP00050

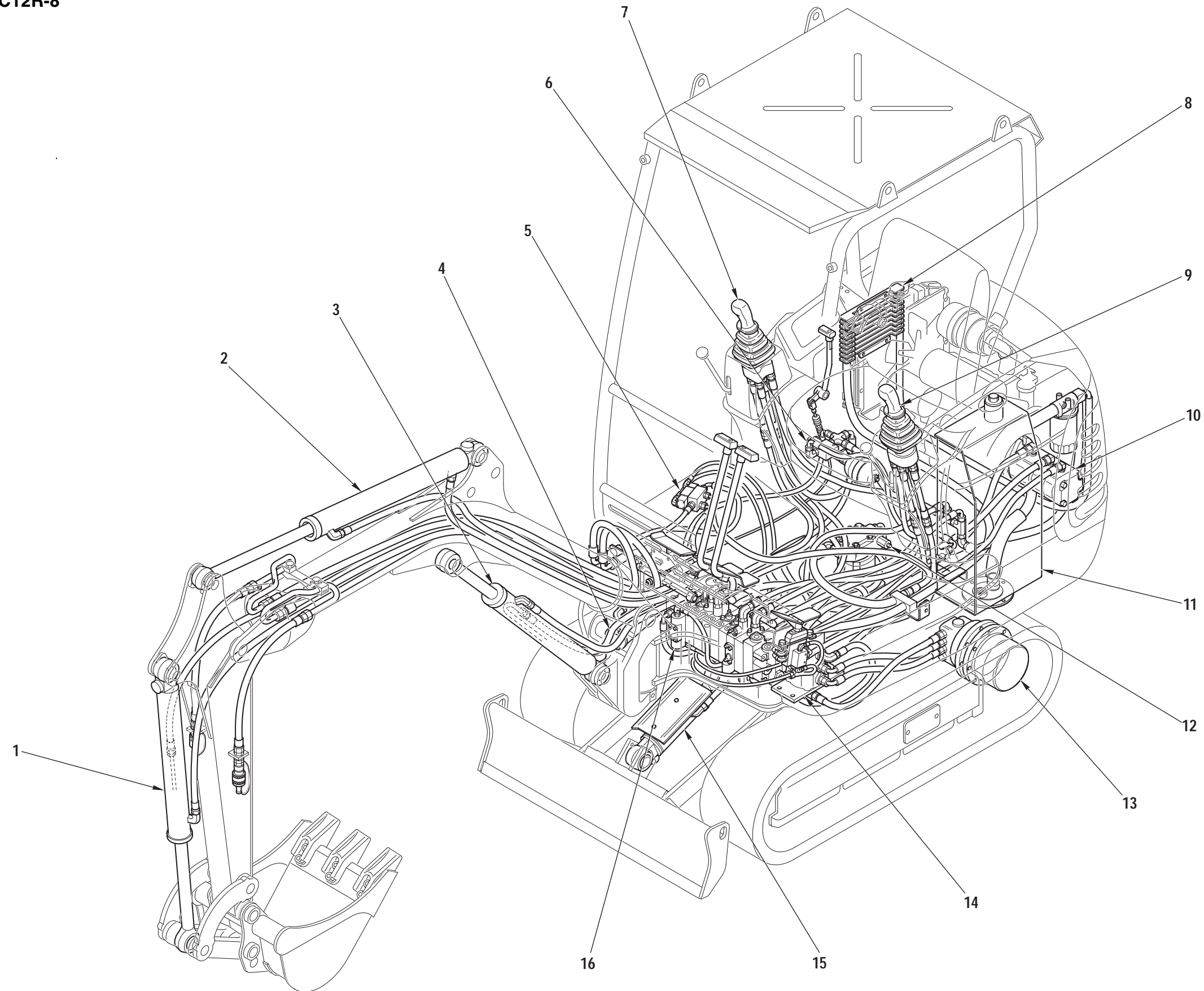
- 1. Link shoe
- 2. Shoe
- 3. Cotter pin
- 4. Pin

- 5. Bushing
- 6. Master pin
- 7. Master housing

**PAGE INTENTIONALLY
LEFT BLANK**

HYDRAULIC SYSTEM

PC12R-8



- 1. Bucket cylinder
- 2. Arm cylinder
- 3. Boom cylinder
- 4. Boom swing cylinder
- 5. Cutting shovel solenoid valve
- 6. Servocontrol solenoid valve
- 7. R.H. PPC valve
- 8. Oil cooler
- 9. L.H. PPC valve
- 10. Hydraulic pump
- 11. Hydraulic tank
- 12. Swing motor
- 13. Final drive
- 14. Swivel joint
- 15. Blade cylinder
- 16. Control valve