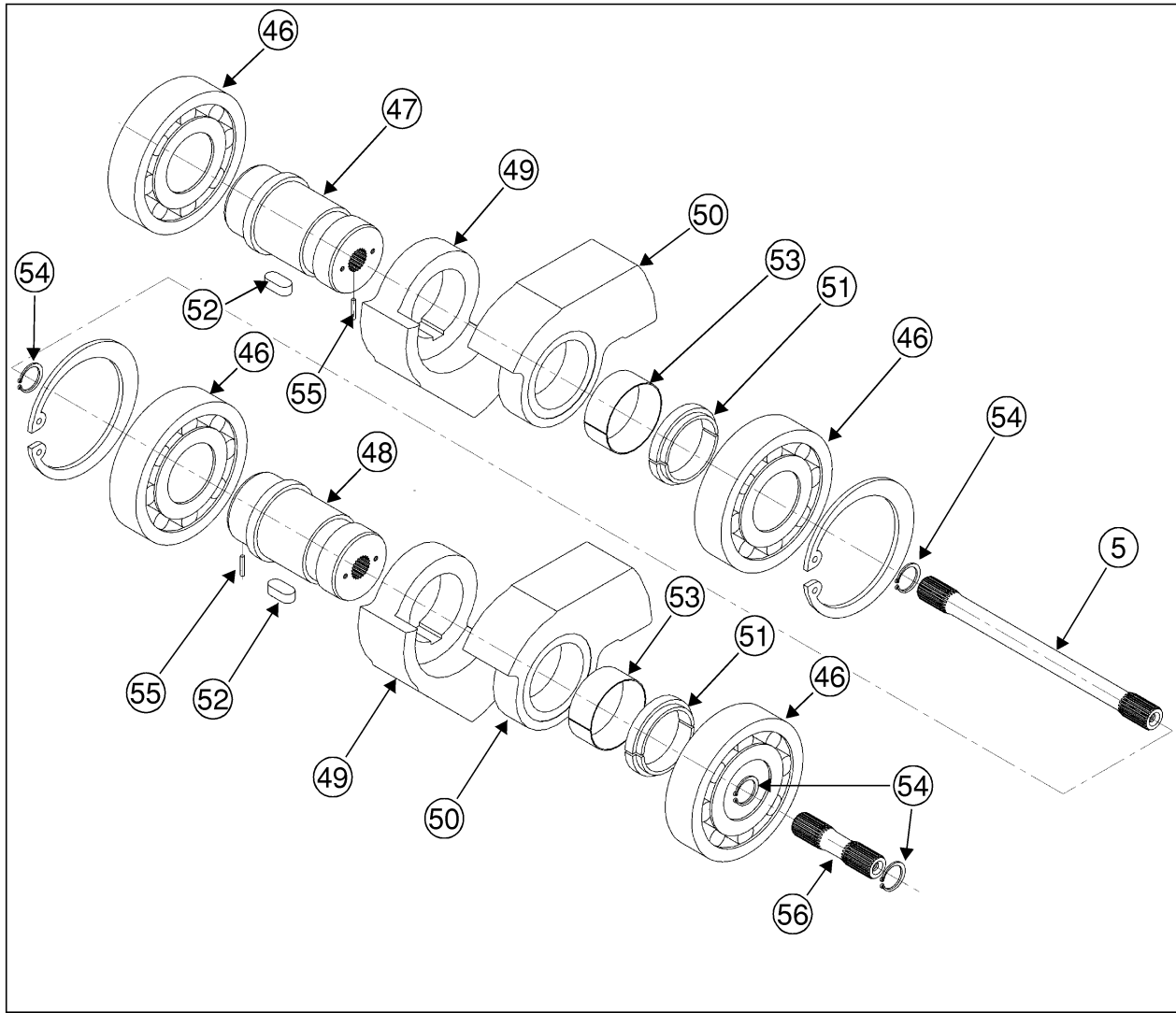


Model SV212 - SV216 / SV223 - SV228



CS01D541

4

- 5. Connecting shaft
- 46. Bearing
- 47. Right shaft
- 48. Left shaft
- 49. Cam
- 50. Cam
- 51. Ring
- 52. Key
- 53. Bushing
- 54. Snap ring
- 55. Pin
- 56. Connectingshaft

SPECIFICATIONS

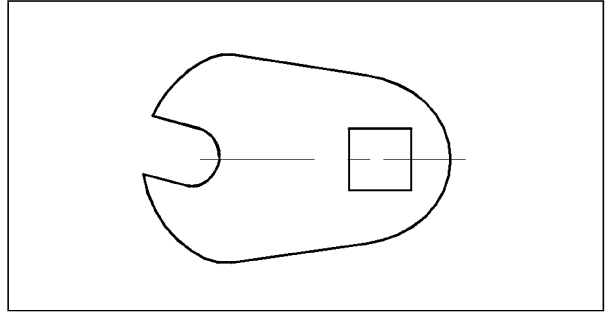
	SV208	SV210	SV212	SV216	SV223	SV228
Drum diameter	1300 mm (51.2 in)	1300 mm (51.2 in)	1500 mm (59 in)	1500 mm (59 in)	1700 mm (67 in)	1700 mm (67 in)
Drum width	1680 mm (65.7 in)	1680 mm (65.7 in)	2200 mm (86.6 in)	2200 mm (86.6 in)	2240 mm (88.25 in)	2240 mm (88.25 in)
Drum thickness	25 mm (0.98 in)	25 mm (0.98 in)	25 mm (0.98 in)	40 mm (1.57 in)	45 mm (1.77 in)	50 mm (1.97 in)
Fluid capacity of vibrating rollers	6.7 l (1.77 gal US)	6.7 l (1.77 gal US)	8 l (2.1 gal US)	8 l (2.1 gal US)	7.5 l (1.98 gal US)	7.5 l (1.98 gal US)

TORQUE SPECIFICATIONS

Fastening hardware	Screws, nuts	Tightening torque Nm (lb.ft)		
		SV208 - SV210	SV212 - SV216	SV223 - SV228
Rubberized metal pieces (21) left, right side	44, 45, 52	XX	75 (55)	XX
Covers (12)	46	XX	75 (55)	XX
Inside covers (10)	40	XX	165 (122)	XX
Vibration hydraulic motor	14	XX	120 (88.5)	XX
Drum (1) to frame (50) mounting	37	XX	315 (232)	XX
Left cover (7), right cover (8)	38	XX	315 (232)	XX
Hub (9) left cover (7)	39	XX	165 (122)	XX
Driving lug (3) hydraulic motor (24) - right side	20	XX	314 (231)	XX
Bracket (1), hydraulic motor (24) - right side	19	XX	165 (122)	XX
Bearings (28)	-	70 - 80 (52 - 59)	75 - 80 (55 - 59)	80 - 100 (59 - 74)

SPECIAL TOOLS

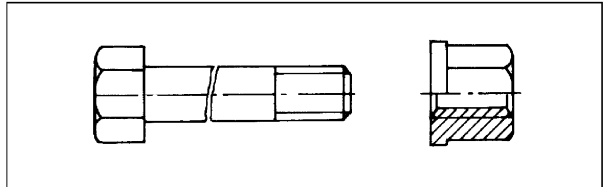
No 1. Wrench 39-1-15 (For vibration hydromotor assembly)



ND090605

5

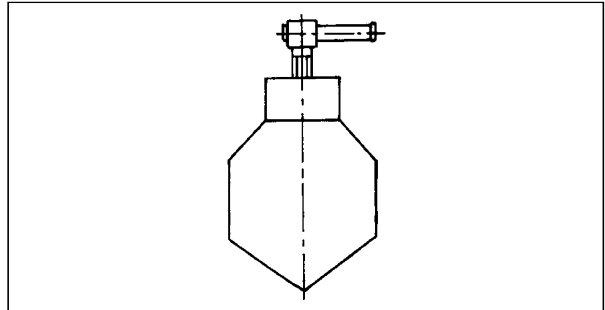
No 2. Bolts 39-1-01 (For clamping drum rubberized metal pieces)
Not used for **SV223 - SV228**



ND080073

6

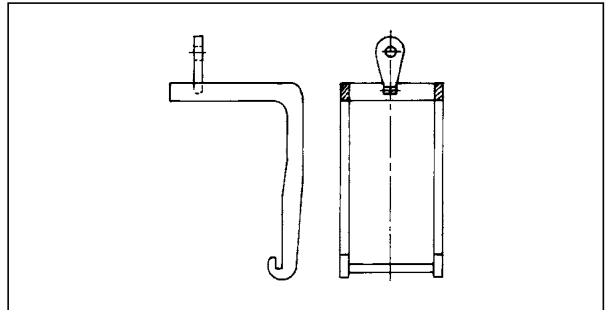
No 3. Clamp 39-1-14 (For securing drums)



ND090535

7

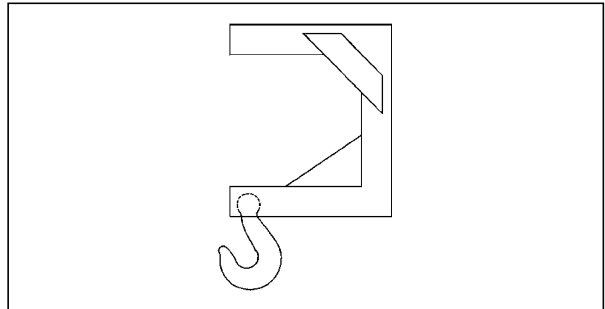
No 4. Handling jig 39-1-06 (For removing consoles from drum. **SV208 - SV216**)



ND080149

8

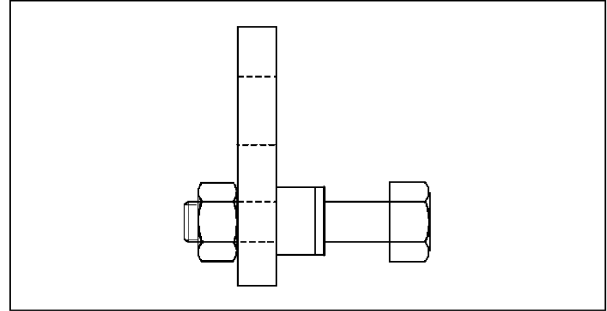
No 5. Handling link 39-1-19 (For removing consoles and from drum). **SV223 - SV228**



ND107322

9

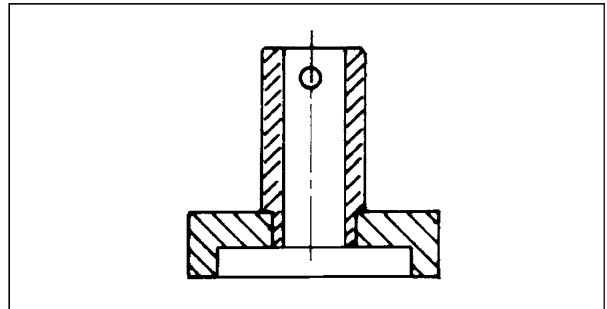
No 6. Handling link 39-1-20 (For removing consoles and from drum). **SV223 - SV228**



ND107323

10

No 7. Special wrench 39-1-09 (For removing mounting nut)



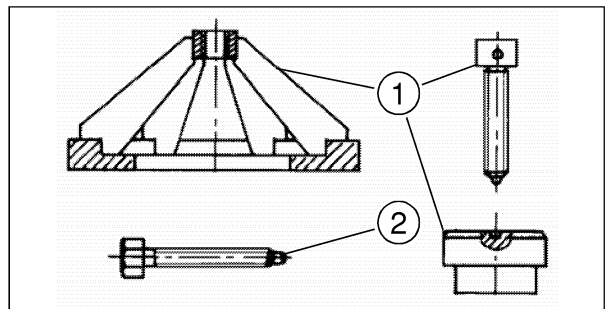
ND080229

11

No 8. Remover 39-1-17 (Disassembly of hub, vibrator plate and bearing)

1: One version for **SV208 to SV216**, another version for **SV223 - SV228**

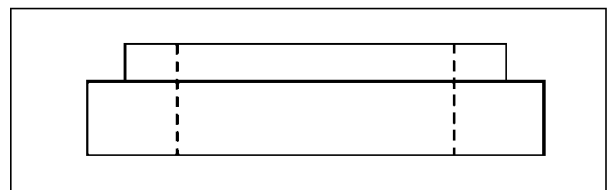
2: Bolt M14 for rollers **SV208 to SV216**, bolt M16 for rollers **SV223 - SV228**



ND101781

12

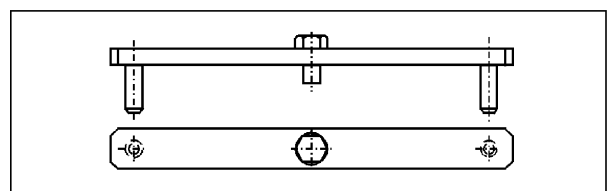
No 9. Ring installer 39-1-16 (For oil ring installation)



ND101776

13

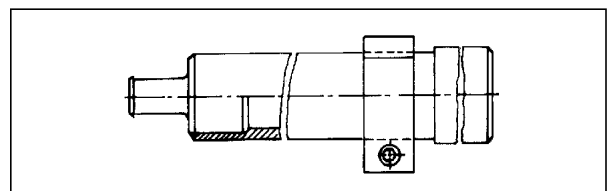
No 10. Special wrench 39-1-08 (For establishing conical bearing pre-load in hub)



ND101777

14

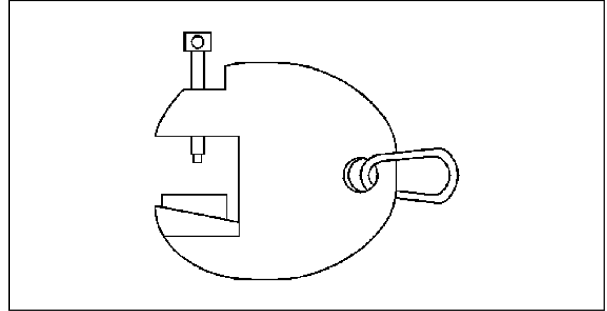
No 11. Handling shaft 39-1-05 (For lids and vibrator)



ND080148

15

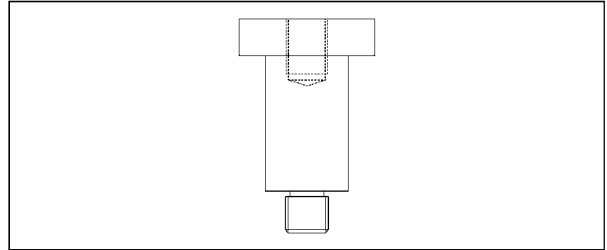
No 12. Clamp 39-1-13 (For vertical installation of the drum) **SV208 - SV210**



ND090512

16

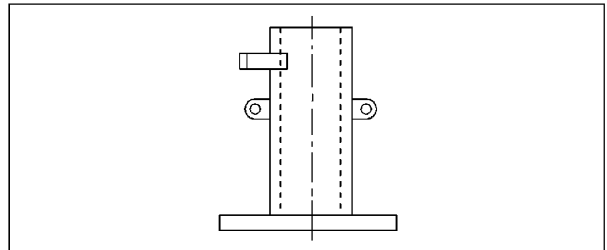
No 13. Extractor 39-1-12 (For removing vibrator shaft) **SV208 - SV210**



ND081983

17

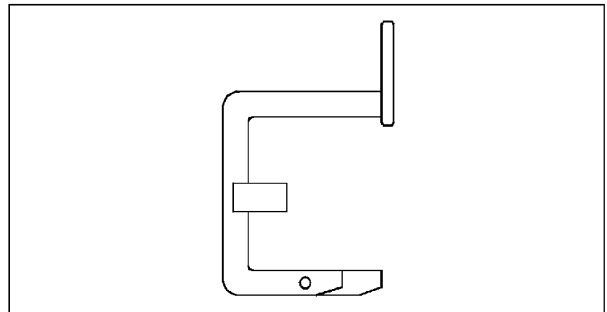
No 14. Cam installer 39-1-07 (For cam installation)



ND080213

18

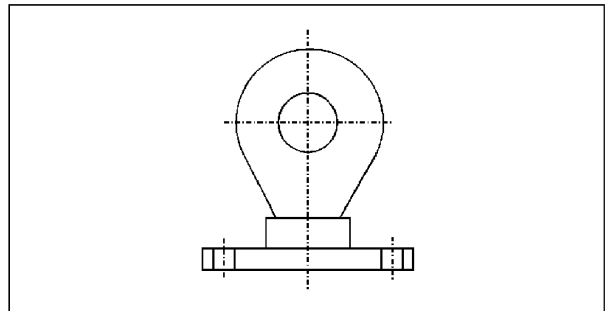
No 15. Cam installer 39-1-07 (for positioning cam) **SV223 - SV228**



ND081205

19

No 16. Handling ring 39-1-11 (For right and left shaft) **SV223 - SV228**



ND081213

20