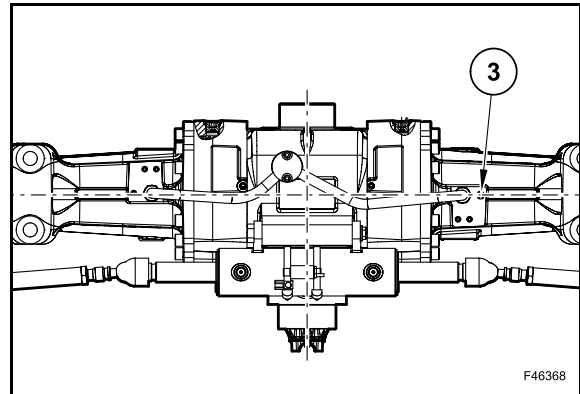


Before draining the oil from the axle body, use the breather (3) to release any possible internal pressure.



Risk of violent oil ejection.



F46368

To drain the oil from the central body remove the level plug (1) and the drain plug (2).



Risk of violent oil ejection.

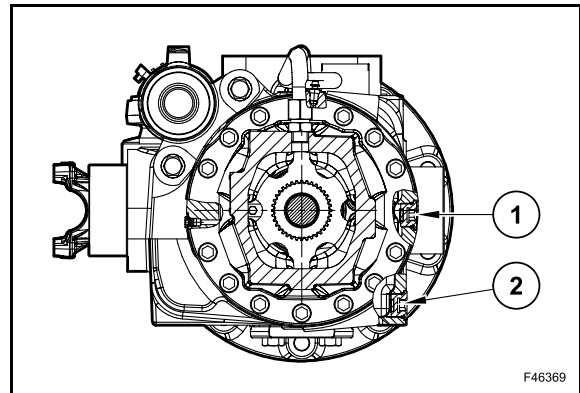
Drain all oil.

Clean, screw and tighten the plug (2).

Fill through the hole of the plug (1).

Check the level and, if necessary, top up.

Clean, screw and tighten the plug (1).



F46369

Before draining the oil from the reduction gear, turn the gear so that the plug (4) is in the highest possible position [position A].

Partially unscrew the plug (4) to release any possible internal pressure.

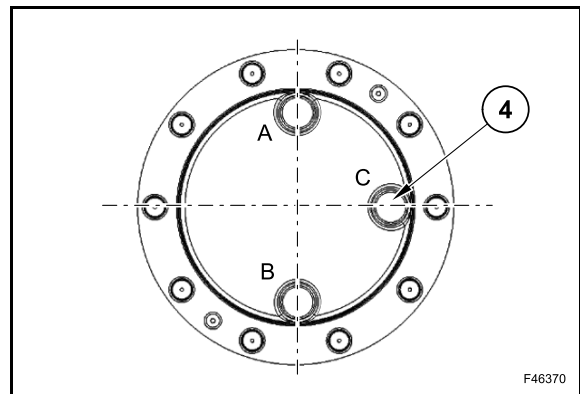
Turn the plug (4) and bring it to its lowest position [position B].

Remove the plug and drain the oil.

Rotate again to bring the hole of the plug (4) to check and oil filling position (position C).

Carry out the filling.

Clean, screw in and tighten the plug (4).



F46370

REMOVAL FROM MACHINE

Move the machine to a level and firm ground, away from any soft ground, excavations and poorly shored cavity.

Lower the loader attachment to the ground.

Use the locking pin (if provided) to lock the loader attachment controls.

Lower the backhoe attachment to the ground.

Place the direction-of-travel lever and gearshift lever in neutral position.

Immobilize the machine by means of the parking brake.

Lower the stabilizers until the rear wheels are slightly lifted from the ground (they are free from machine weight).

Stop the engine and remove the starter key.

Release the hydraulic pressure by operating the control levers in all directions.

On hydraulically controlled machines, turn the key to ON and release the pressure by moving the hydraulic control levers in all directions.

Disconnect the electric system by disconnecting the battery master switch.

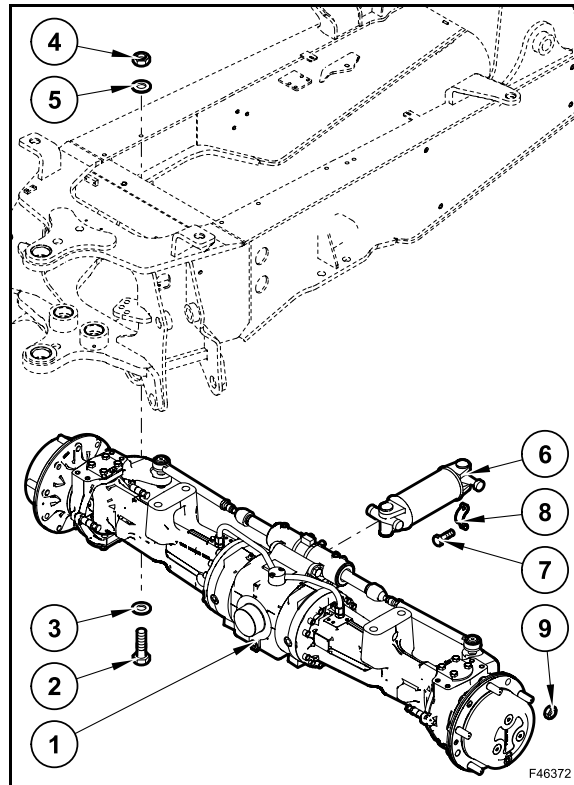
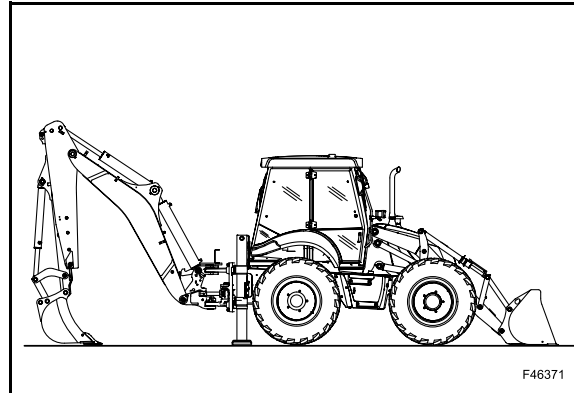
Fasten the rear axle to a lifting hoist or to a support.

Now it is possible to carry out the disassembly of the 2 rear tyres by loosening and removing the relevant fixing nuts (9) [tightening torque = 700 Nm (516 lbf-ft)].

Disconnect the cardan joint (6) by unlocking and removing the screws (7) and the bracket (8).

Unscrew and remove the screws (2) with the nuts (4) and the washers (3) and (5) [tightening torque = 830 ÷ 970 Nm (612 ÷ 715 lbf-ft)].

Remove the rear axle (1).



DISASSEMBLY AND ASSEMBLY

Some of the following pictures could not exactly show your axle, but the procedure is correct.

TIGHTENING TORQUES AND APPLICATION OF SEALANTS / ADHESIVES

B. Loctite 270

C. Loctite 638

