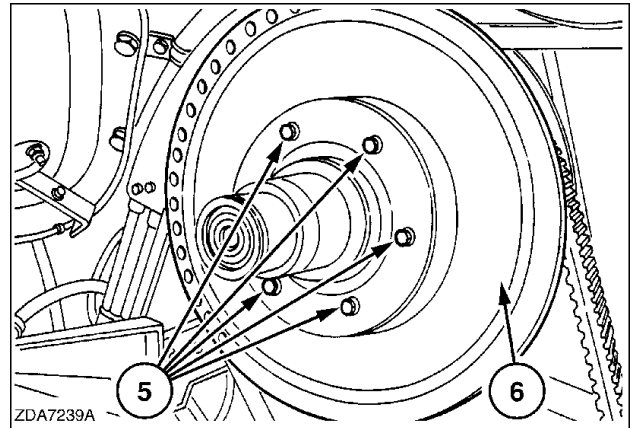
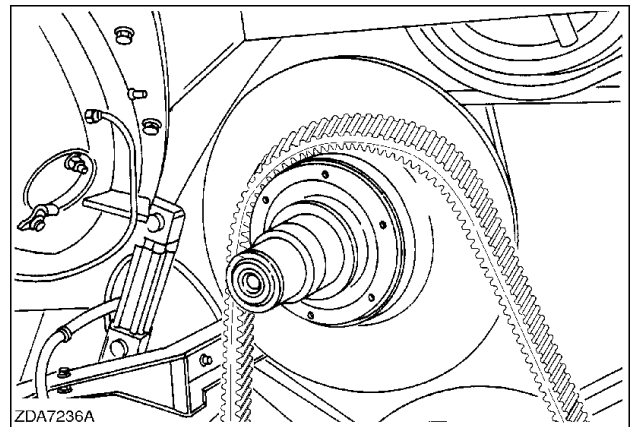


- Loosen the six bolts **(5)** of the drum driven disks.  
Remove the outer sheave **(6)**.



ZDA7239A 3

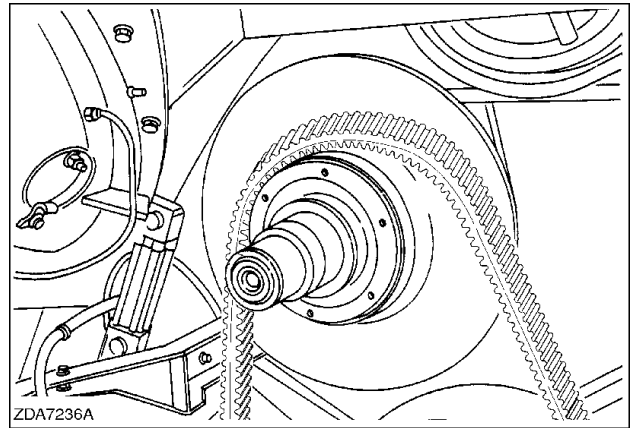
- Now is it possible to remove the drum variator drive belt.



ZDA7236A 4

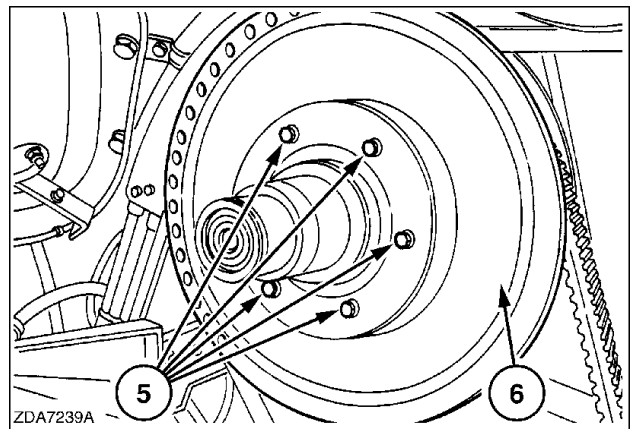
## Variator belt - Install

1. Install the variator belt.



ZDA7236A\_135 1

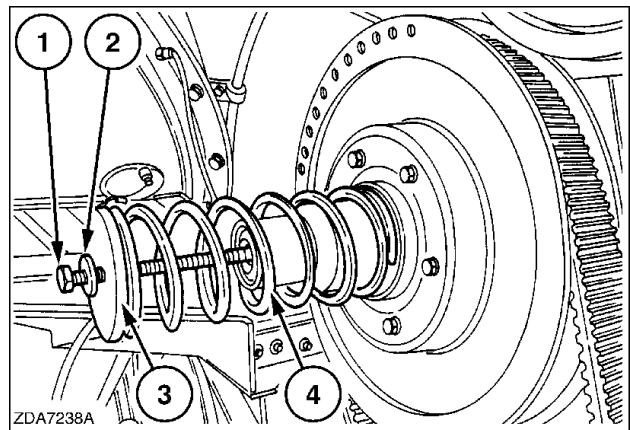
2. Install the outer sheave (6) with the six bolts (5).



ZDA7239A\_136 2

3. Install the spring (4), the pressure plate (3), the washer (2) and the central bolt (1).  
Tighten the central bolt (1) completely.

**NOTE:** To settle the variator belt properly, turn the variator sheaves by hand while tightening the central bolt (1).



ZDA7238A\_137 3

4. Grease the posi-torque.

### Next operation:

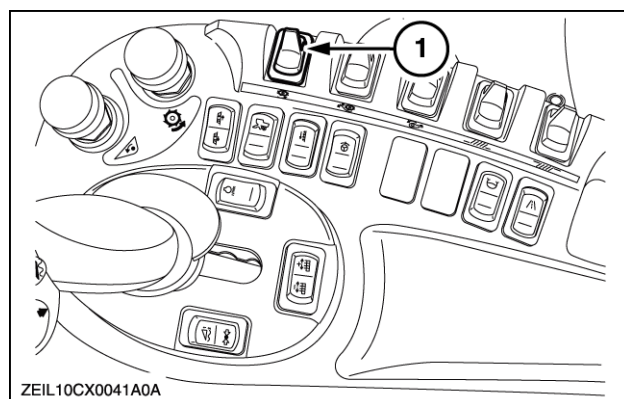
Install the straw elevator drive belt. Refer to **Product feed drive belt - Install (60.150)**.

### Next operation:

Adjust the drum variator belt, if necessary. Refer to **Speed regulation system - Adjust (66.321)**.

## Speed regulation system - Adjust

1. Start the engine, switch on the threshing mechanism and set the drum speed to maximum with the drum speed rocker switch (1) until the top of the variator belt runs equal or 1 mm under the outside of the variator sheave.



ZEIL10CX0041A0A

ZEIL10CX0041A0A 1

2. Switch off the threshing mechanism and stop the engine.

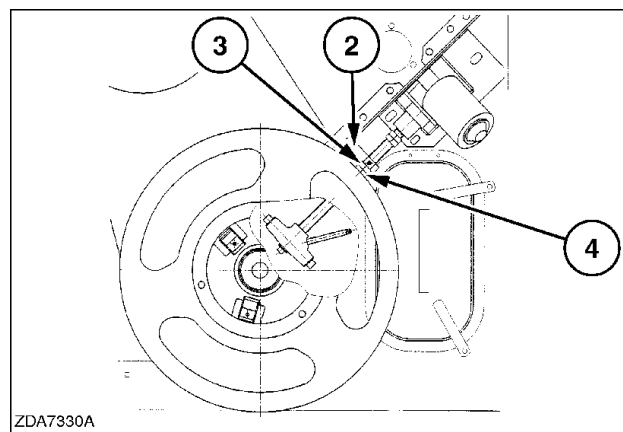
### ⚠ CAUTION

#### Unexpected machine movement!

1. Disengage all drives.
  2. Engage parking brake.
  3. Lower all attachments to the ground, or raise and engage all safety locks.
  4. Shut off engine.
  5. Remove key from key switch.
  6. Switch off battery key, if installed.
  7. Wait for all machine movement to stop.
- Failure to comply could result in minor or moderate injury.

C0038A

3. Block the stop bracket (2) with the two nuts (3) and (4).



ZDA7330A

ZDA7330A 2

4. Restart the engine, switch on the threshing mechanism and set the drum speed to minimum with the drum speed rocker switch (1) (see fig. 1) until the variator sheave stops moving.
5. Switch off the threshing mechanism and stop the engine.