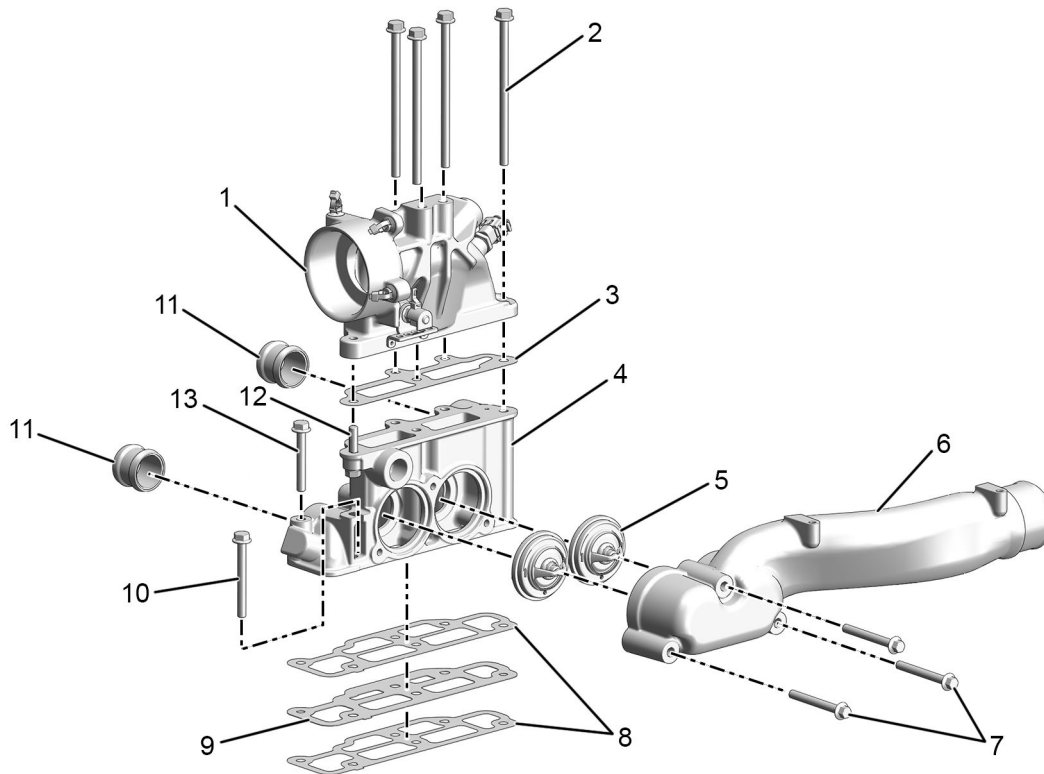


Coolant Outlet Manifold and Thermostat Assembly

Removal

Overview



0000410445

Figure 398 Coolant Outlet Manifold, EGR Coolant Return Manifold, and Thermostat Housing Overview

- | | | |
|--|----------------------------|------------------|
| 1. EGR coolant return manifold | 6. Coolant outlet manifold | 12. M8 x 30 bolt |
| 2. M8 x 145 bolt (4) | 7. M8 x 70 bolt (3) | 13. M8 x 60 bolt |
| 3. Gasket | 8. Gasket (2) | |
| 4. Thermostat housing assembly | 9. Spacer plate | |
| 5. Thermostat assembly with gasket (2) | 10. M8 x 75 bolt | |
| | 11. Extension tube (2) | |

Equipment Condition

None

Special Tools

None



GOVERNMENT REGULATION: Engine fluids (oil, fuel, and coolant) may be a hazard to human health and the environment. Handle all fluids and other contaminated materials (e.g. filters, rags) in accordance with applicable regulations. Recycle or dispose of engine fluids, filters, and other contaminated materials according to applicable regulations.

**WARNING:**

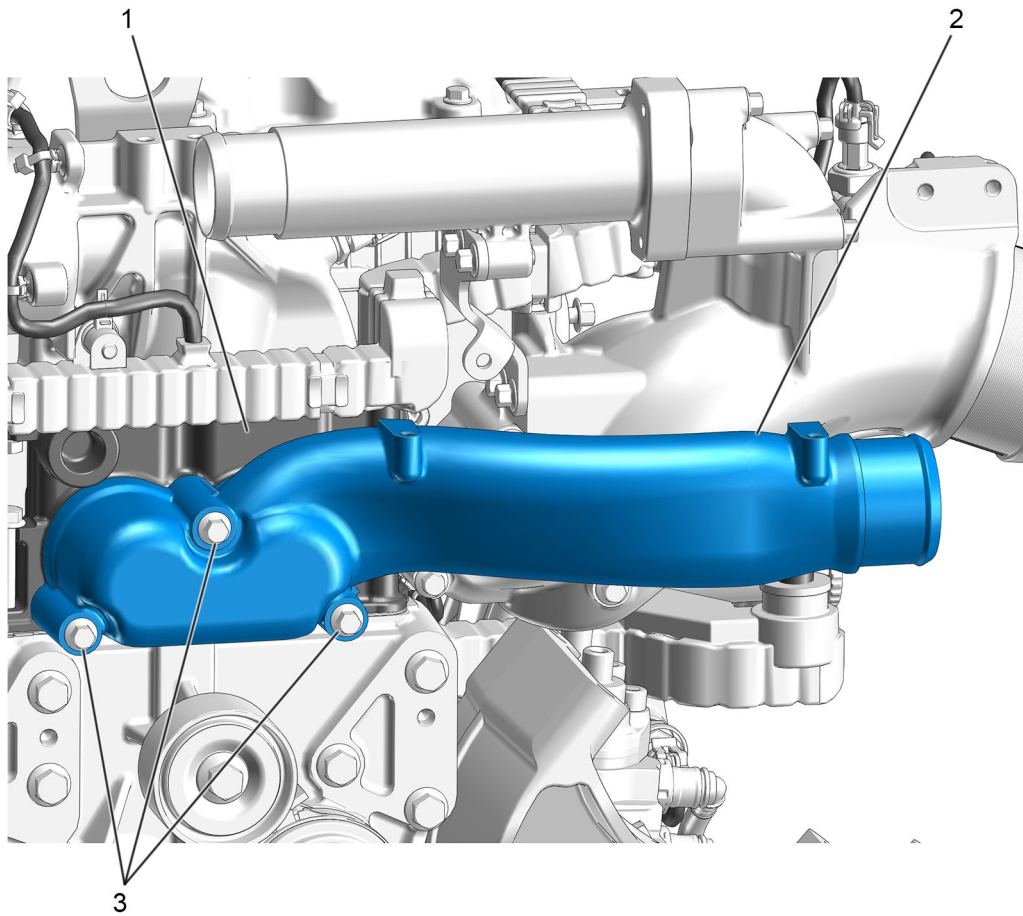
To prevent personal injury or death, read all safety instructions in the “Safety Information” section of this manual.

**WARNING:**

To prevent personal injury or death, shift transmission to park or neutral, set parking brake, and block wheels before doing diagnostic or service procedures.

**WARNING:**

To prevent personal injury or death, do not let engine fluids stay on your skin. Clean skin and nails using hand cleaner and wash with soap and water. Wash or discard clothing and rags contaminated with engine fluids.

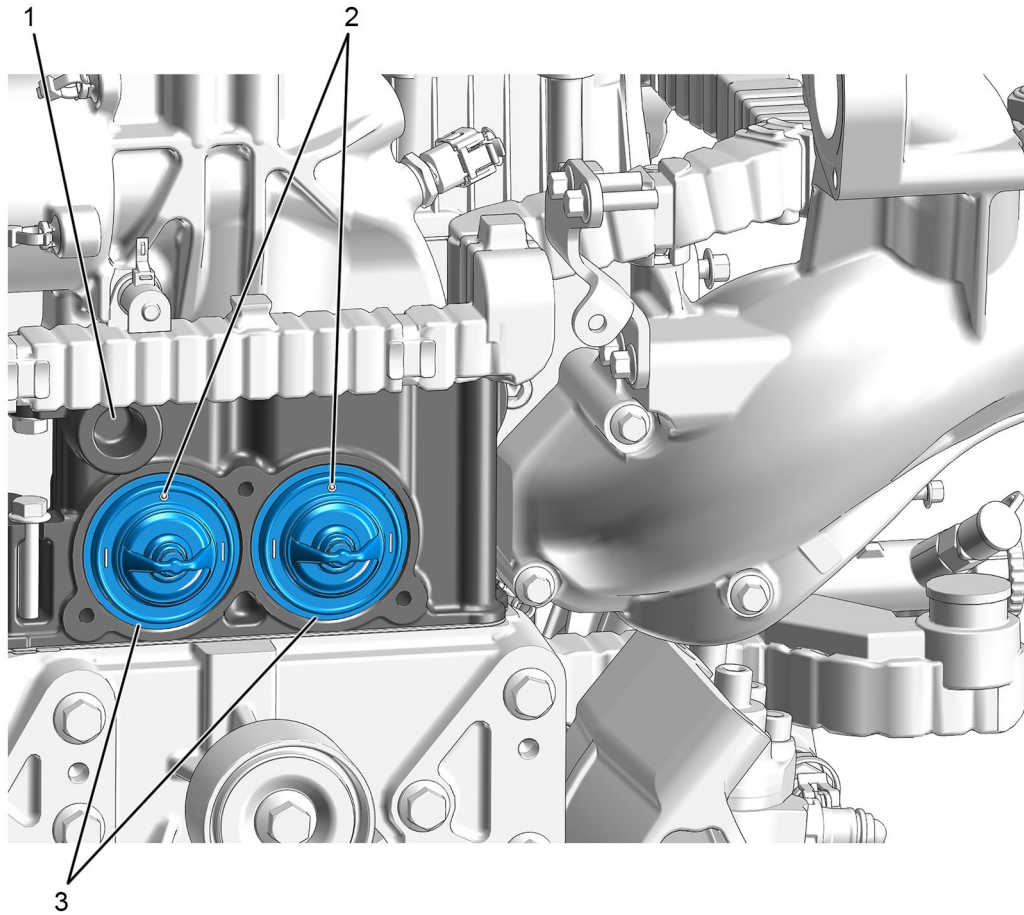
Procedure

0000410372

Figure 399 Coolant Outlet Manifold

1. Thermostat housing 2. Coolant outlet manifold 3. M8 x 70 bolt (3)

1. Remove three M8 x 70 bolts (3) and coolant outlet manifold (2) from thermostat housing (1).



0000410373

Figure 400 Thermostat Housing and Thermostats

1. Thermostat housing 2. Aeration holes 3. Thermostat (2)

2. Remove and discard two thermostats (3) and gaskets from thermostat housing (1).

Follow-on Procedure

None