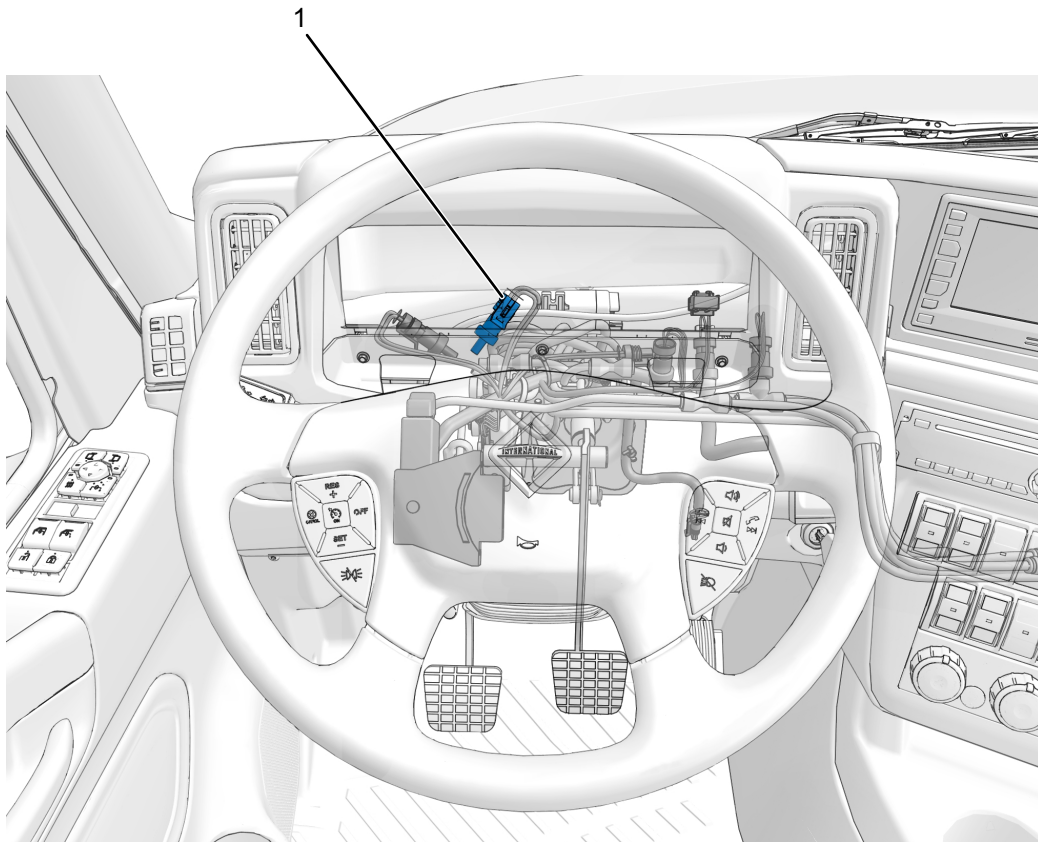


Air Application Gauge

Feature Code	Description
0016HGN	GAUGE, AIR APPLICATION
0016HLR	GAUGE, AIR APPLICATION, Virtual Gauge, Requires Premium Cluster
Software Feature	Description
0597113	BCM PROG, AIR APPL GAUGE for Auxiliary Gauge
0597114	BCM PROG, AIR APPL GAUGE for Virtual Gauge



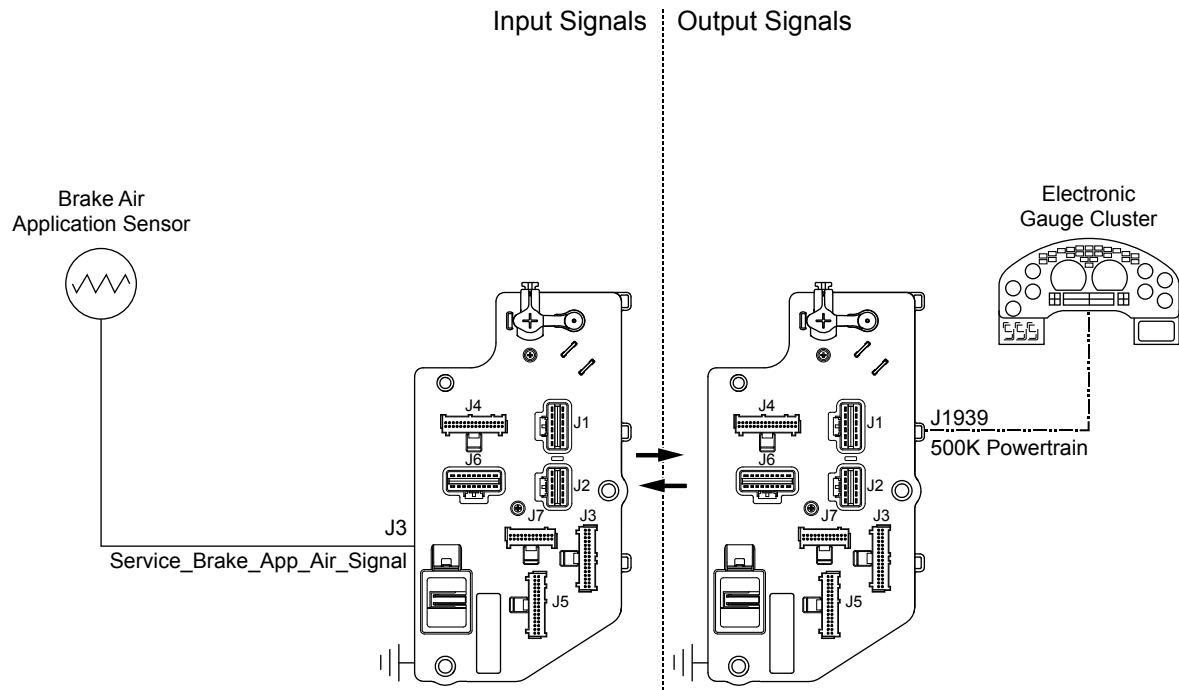
0000414046

Figure 594 Location View

1. Brake air application sensor

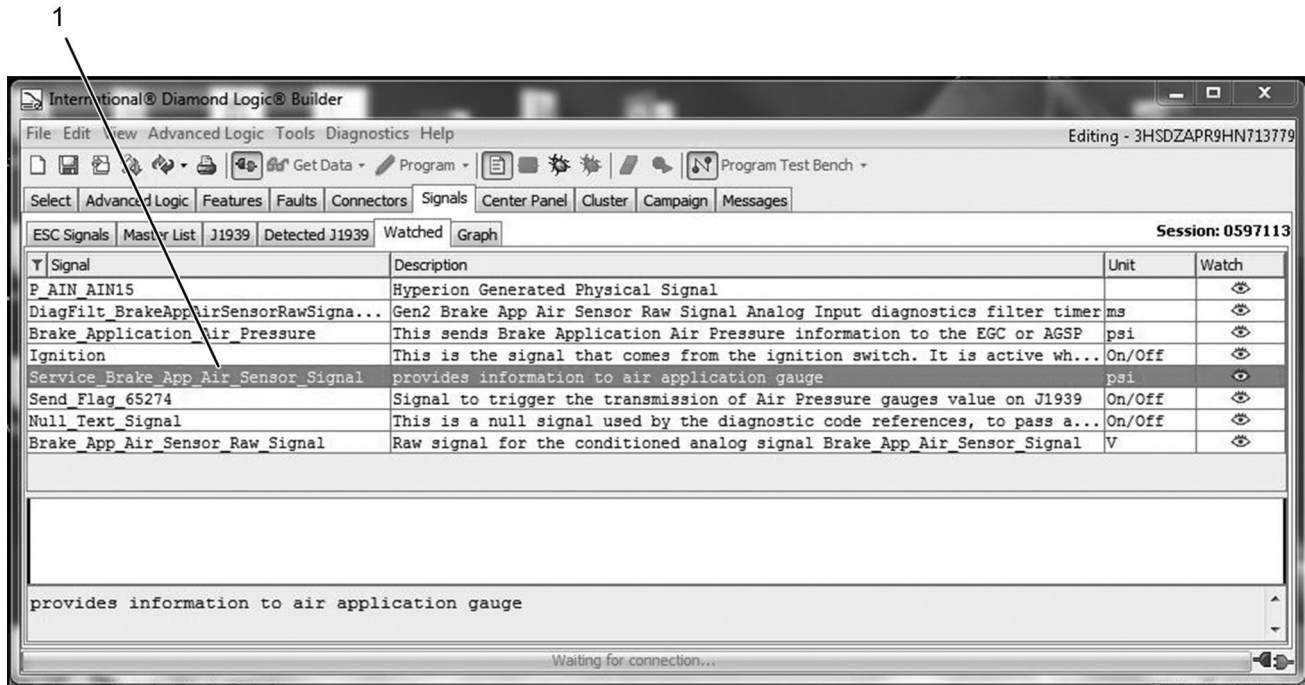
Overview

The air application gauge displays the air pressure currently being applied to the brakes. The brake application pressure sensor sends a signal to the Body Control Module (BCM). The BCM sends this information over 500k powertrain J1939 to the electronic gauges cluster (EGC).



0000413794

Figure 595 Signal Map



0000413562

Figure 596 DLB Signal View

1. Brake air application sensor signal