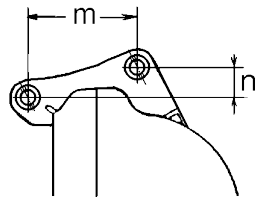
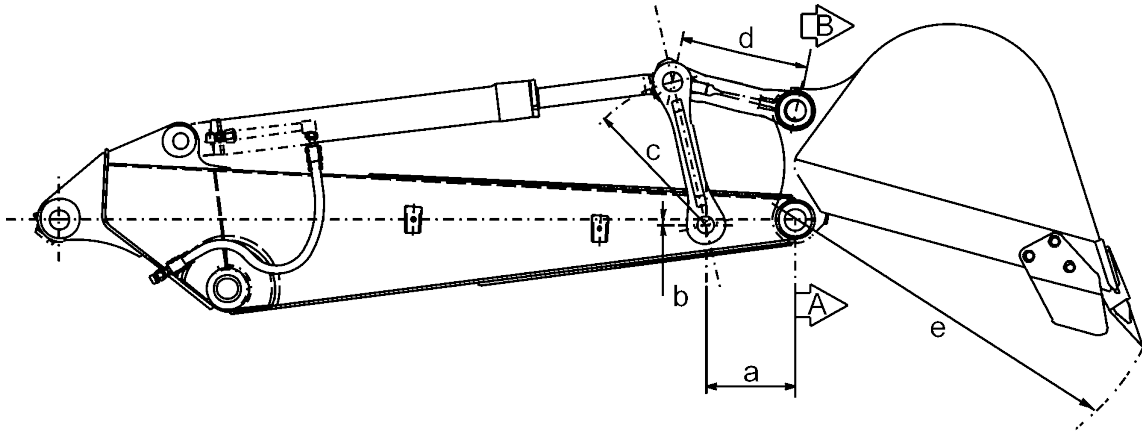
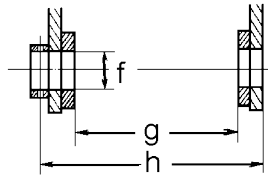


FRONT ATTACHMENT / Front Attachment

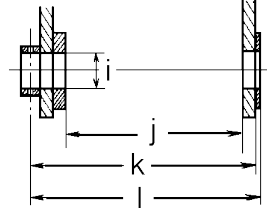
STANDARD DIMENSIONS FOR ARM AND BUCKET CONNECTION



Section A



Section B



W152-04-01-003

Unit : mm (in)

	EX60-5 / 80-5	EX60-3
a	255 (10)	←
b	15 (0.59)	←
c	417 (16.4)	←
d	359 (14.1)	354 (13.9)
e	1050 (41.3)	←
f	50 (1.97)	45 (1.77)
g	202 (7.95)	180 (7.09)
h	298 (11.7)	276 (10.9)
i	50 (1.97)	45 (1.77)
j	224 (8.82)	194 (7.64)
k	298 (11.7)	276 (10.9)
l	312 (12.3)	282 (11.1)
m	299 (11.8)	295 (11.6)
n	82 (3.23)	94 (3.7)