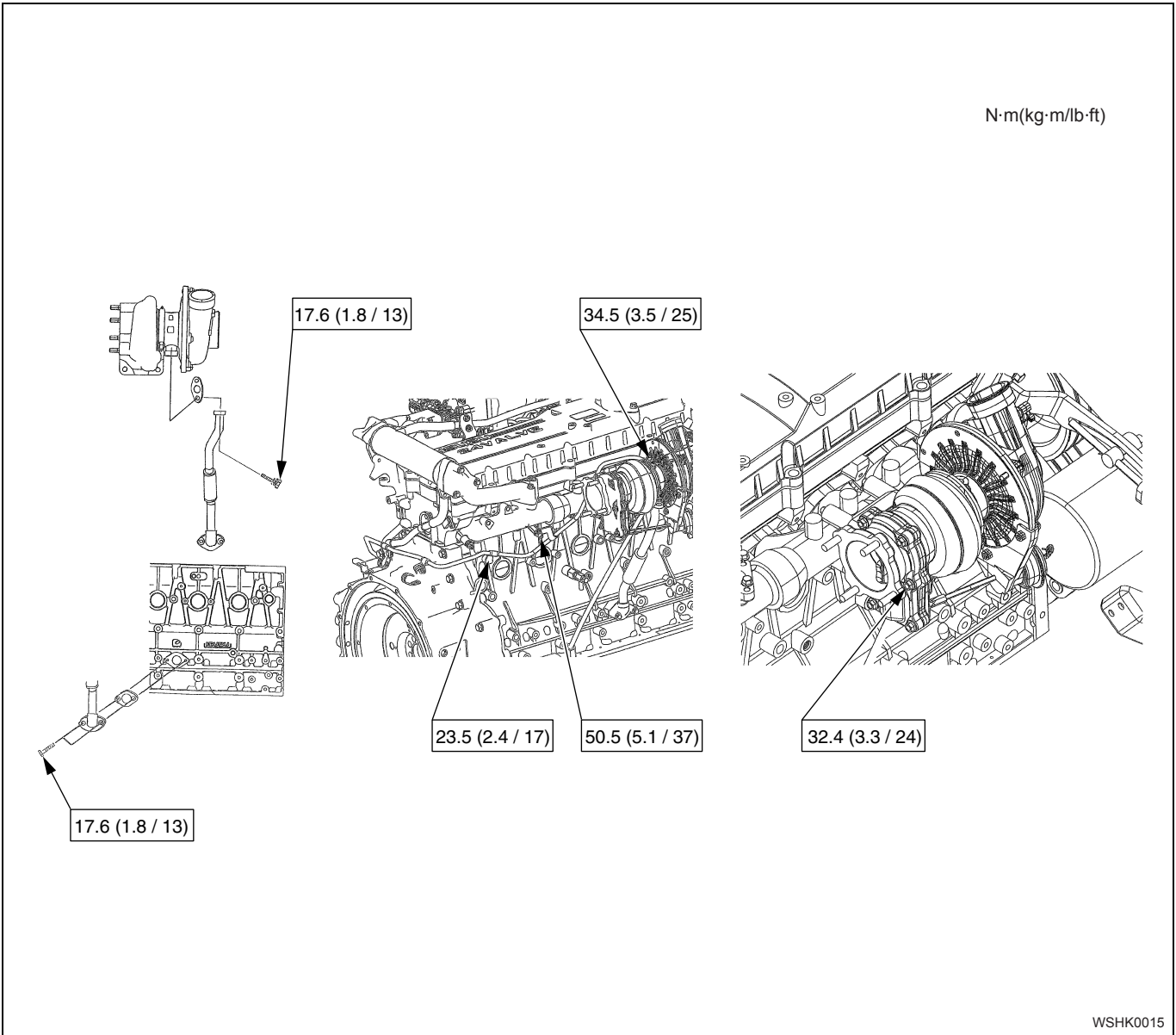
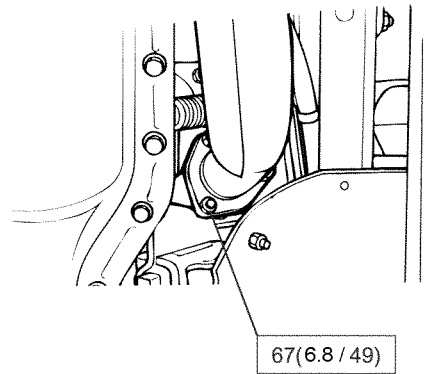
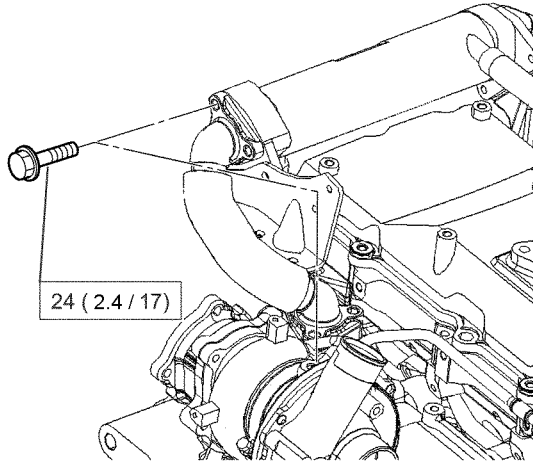


6HK1

N·m(kg·m/lb·ft)



N·m(kg·m/lb·ft)



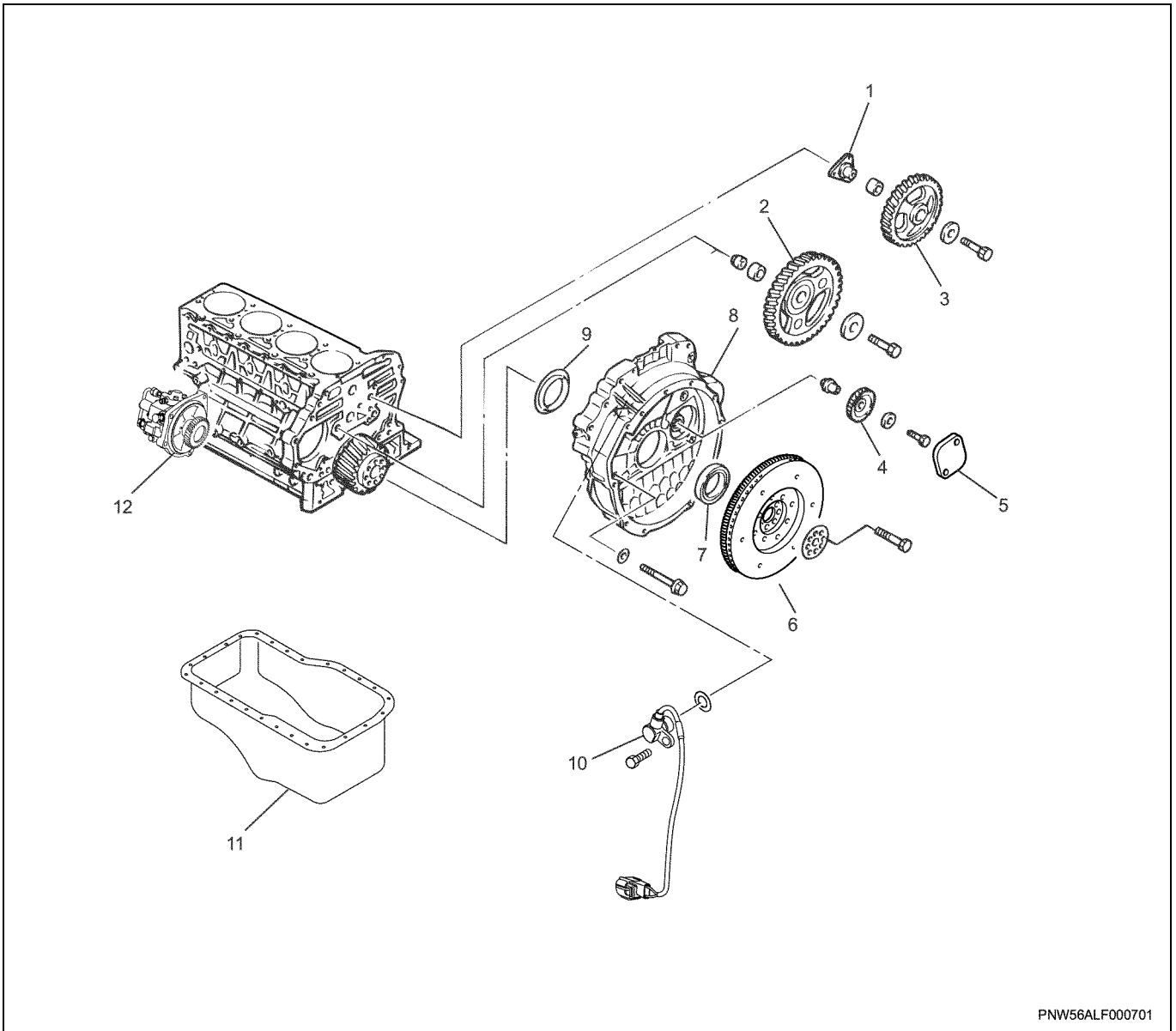
PNW56ALF000601

* 4HK1 is shown for illustration.

Timing Gear Train

Components

4HK1



PNW56ALF000701

Name

- | | |
|------------------------|--------------------------------|
| 1. Idle Gear B Shaft | 7. Rear Oil Seal |
| 2. Idle Gear A | 8. Flywheel Housing |
| 3. Idle Gear B | 9. Slinger |
| 4. PTO Idle Gear | 10. Crankshaft Position Sensor |
| 5. PTO Idle Gear Cover | 11. Oil Pan |
| 6. Flywheel | 12. Fuel Supply Pump |