

# General Power Train Information

## Two Speed Circuit

See General Hydraulic Information in the Hydraulic division for information on the hydraulic two speed circuit and operation.

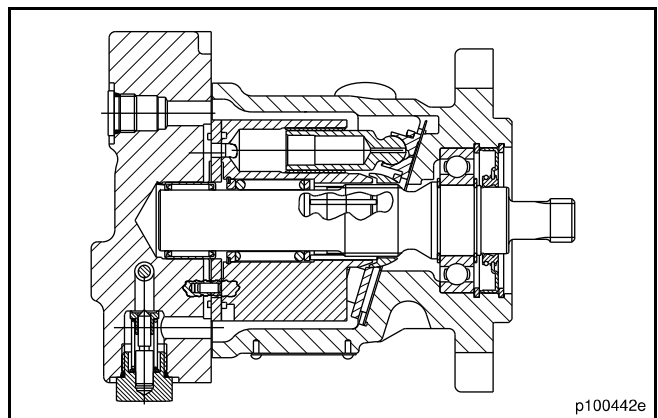
## Park Brake Circuit

See General Hydraulic Information in the Hydraulic division for information on the hydraulic park brake circuit and operation.

## DESCRIPTION OF THE GROUND DRIVE SYSTEM

### Principle of Operation of a Hydrostatic Motor and Pump

**FIG. 3:** The principles of operation of a hydrostatic motor and pump can be found in General Hydraulic Information in the Hydraulic division.



**FIG. 3**

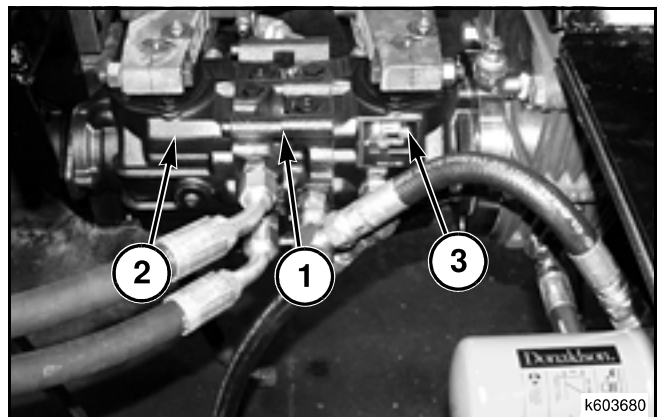
### Ground Drive System

**FIG. 4:** The ground drive system includes a tandem pump and two ground drive motors. The tandem pump has two variable displacement piston pumps mounted on a common valve block (1).

The front piston pump (2) drives the left-hand ground drive motor.

The rear piston pump (3) drives the right-hand ground drive motor.

See Division 5, Steering And Travel Control, for operation, adjustments, removal, and installation of the ground drive controls.



**FIG. 4**