

#### JS130LC - Monoboam

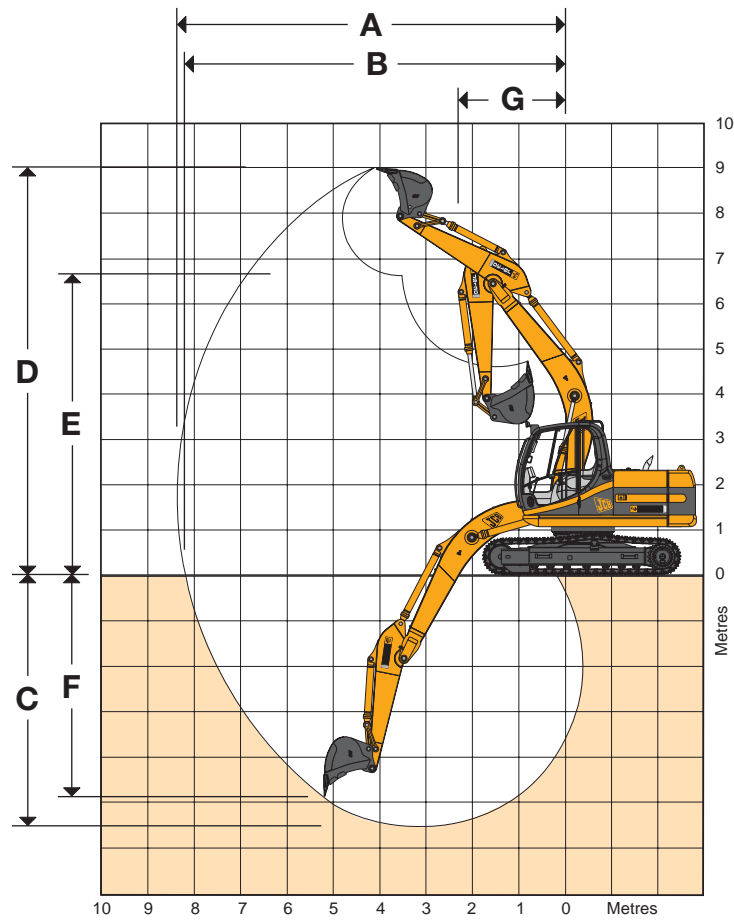


Fig 6.

Table 18.

Dipper	4.70 m		
	2.10	2.50	3.0
	m (ft in)	m (ft in)	m (ft in)
A Maximum digging reach	7.97 (26 2)	8.34 (27 4)	8.79 (28 10)
B Maximum digging reach (on ground)	7.82 (25 8)	8.20 (26 11)	8.66 (28 5)
C Maximum digging depth	5.12 (16 10)	5.53 (18 2)	6.02 (19 9)
D Maximum digging height	8.85 (29 0)	9.12 (29 11)	9.45 (31 0)
E Maximum dumping height	6.46 (21 2)	6.73 (22 1)	7.06 (23 2)
F Maximum vertical wall cut depth	4.52 (14 10)	4.92 (16 2)	5.42 (17 9)
G Maximum swing radius	2.02 (6 8)	2.05 (6 9)	2.41 (7 11)

#### JS130/JS145 - Monoboam

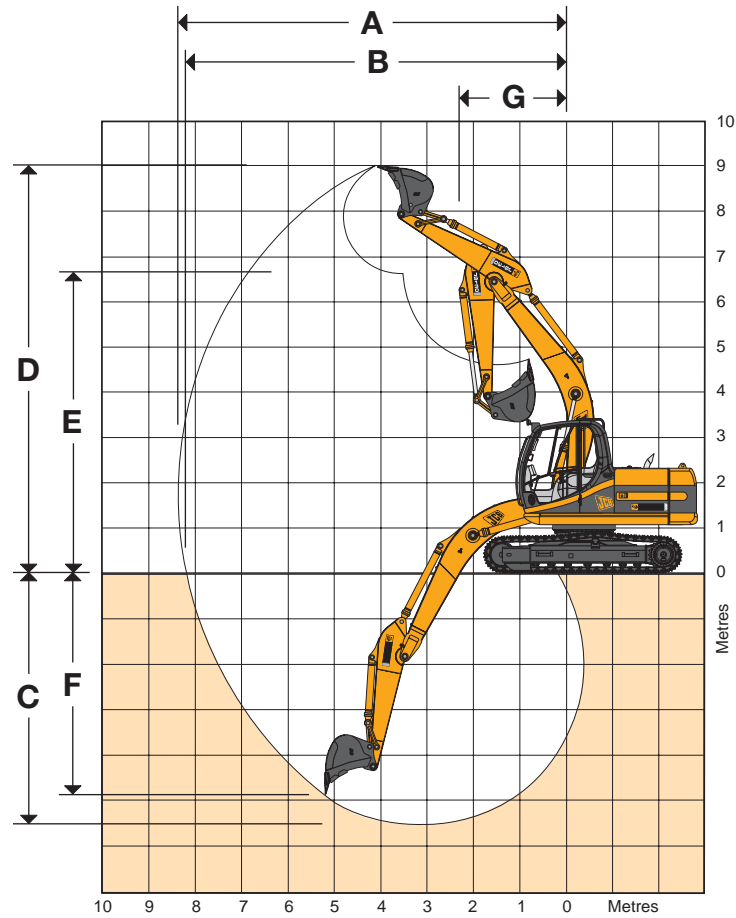


Fig 7.

Table 19.

Dipper	4.70 m		
	2.10 m (ft in)	2.50 m (ft in)	3.0 m (ft in)
A Maximum digging reach	7.97 (26 2)	8.34 (27 4)	8.79 (28 10)
B Maximum digging reach (on ground)	7.82 (25 8)	8.20 (26 11)	8.66 (28 5)
C Maximum digging depth	5.15 (16 11)	5.55 (18 3)	6.05 (19 10)
D Maximum digging height	8.82 (28 11)	9.09 (29 10)	9.41 (30 10)
E Maximum dumping height	6.43 (21 1)	6.70 (22 0)	7.02 (23 0)
F Maximum vertical wall cut depth	4.58 (15 0)	4.98 (16 4)	5.44 (17 10)
G Maximum swing radius	2.05 (6 9)	2.05 (6 9)	2.41 (7 11)

#### JS130/JS145 - Triple Articulated Boom

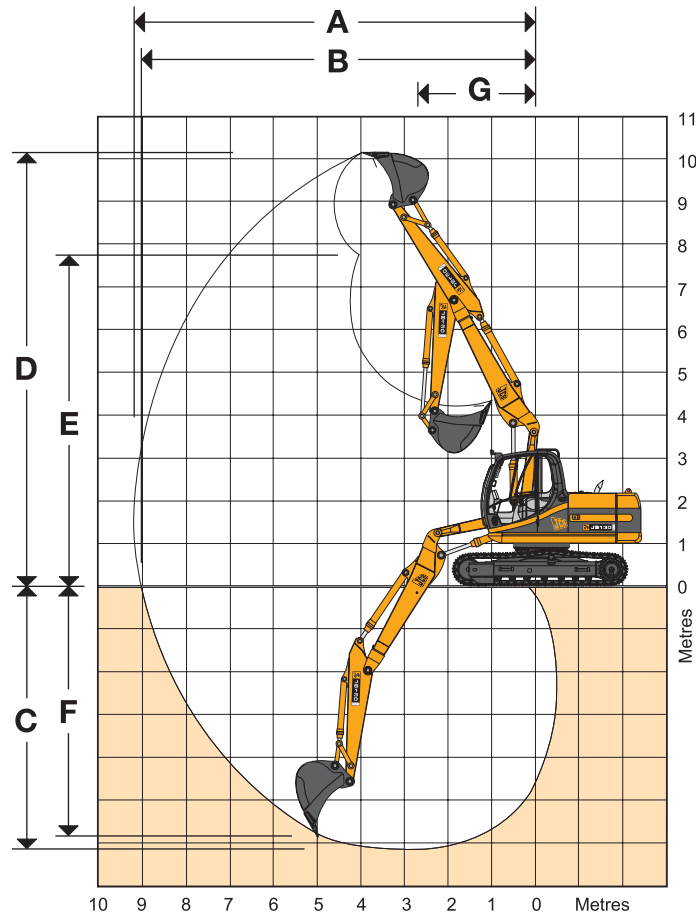


Fig 8.

Table 20.

Dipper	4.7 m		
	2.10	2.50	3.0
	m (ft in)	m (ft in)	m (ft in)
<b>A</b> Maximum digging reach	8.36 (27 5)	8.75 (28 5)	9.23 (30 3)
<b>B</b> Maximum digging reach (on ground)	8.14 (26 8)	8.52 (27 11)	9.0 (29 7)
<b>C</b> Maximum digging depth	5.35 (17 7)	5.75 (18 10)	6.26 (20 6)
<b>D</b> Maximum digging height	9.34 (30 8)	9.67 (31 9)	10.0 (32 10)
<b>E</b> Maximum dumping height	6.94 (22 9)	7.24 (23 9)	7.62 (25 0)
<b>F</b> Maximum vertical wall cut depth	4.91 (16 1)	5.31 (16 3)	5.77 (17 10)
<b>G</b> Maximum swing radius	2.05 (6 9)	2.05 (6 9)	2.41 (8 9)

## Air Conditioning (option)

TB-012

### Automatic Temperature Control (ATC) System

**Table 21.**

Pressure Switch Setting	Bar	lbf/in <sup>2</sup>
Low Pressure Cut In	1.4 (+/- 0.1)	20 (+/- 1.5)
Low Pressure Cut Out	0.3 (+/- 0.1)	4 (+/- 1.5)
High Pressure Cut In	17.2 (+/- 0.7)	250 (+/- 10)
High Pressure Cut Out	27.6 (+/- 0.7)	400 (+/- 10)

**Table 22.**

Refrigerant Gas Charge Weight	
R-134a	1400g +/- 10g

**Table 23.**

Oil Quantity	
Full System	150g +/- 5g PAG (PolyAlkylene Glycol) oil to ISO 100
Evacuation/Charge	If the system is being evacuated, add 57g (59ml) of lubrication oil to the system before or during the charge.

**Fig 9.**

# Basic Operation

## Automatic Temperature Control (ATC) System

TB-011

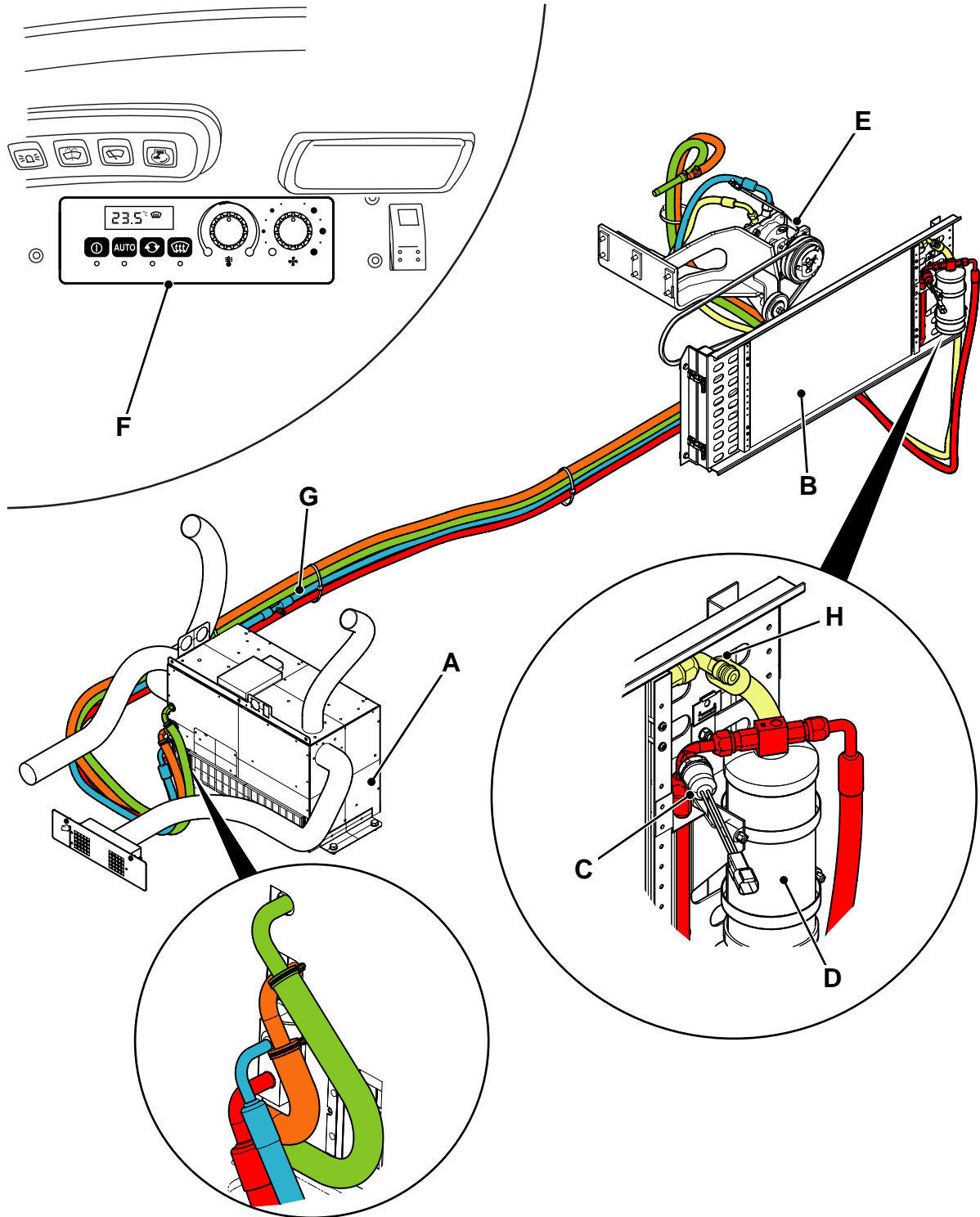


Fig 1.

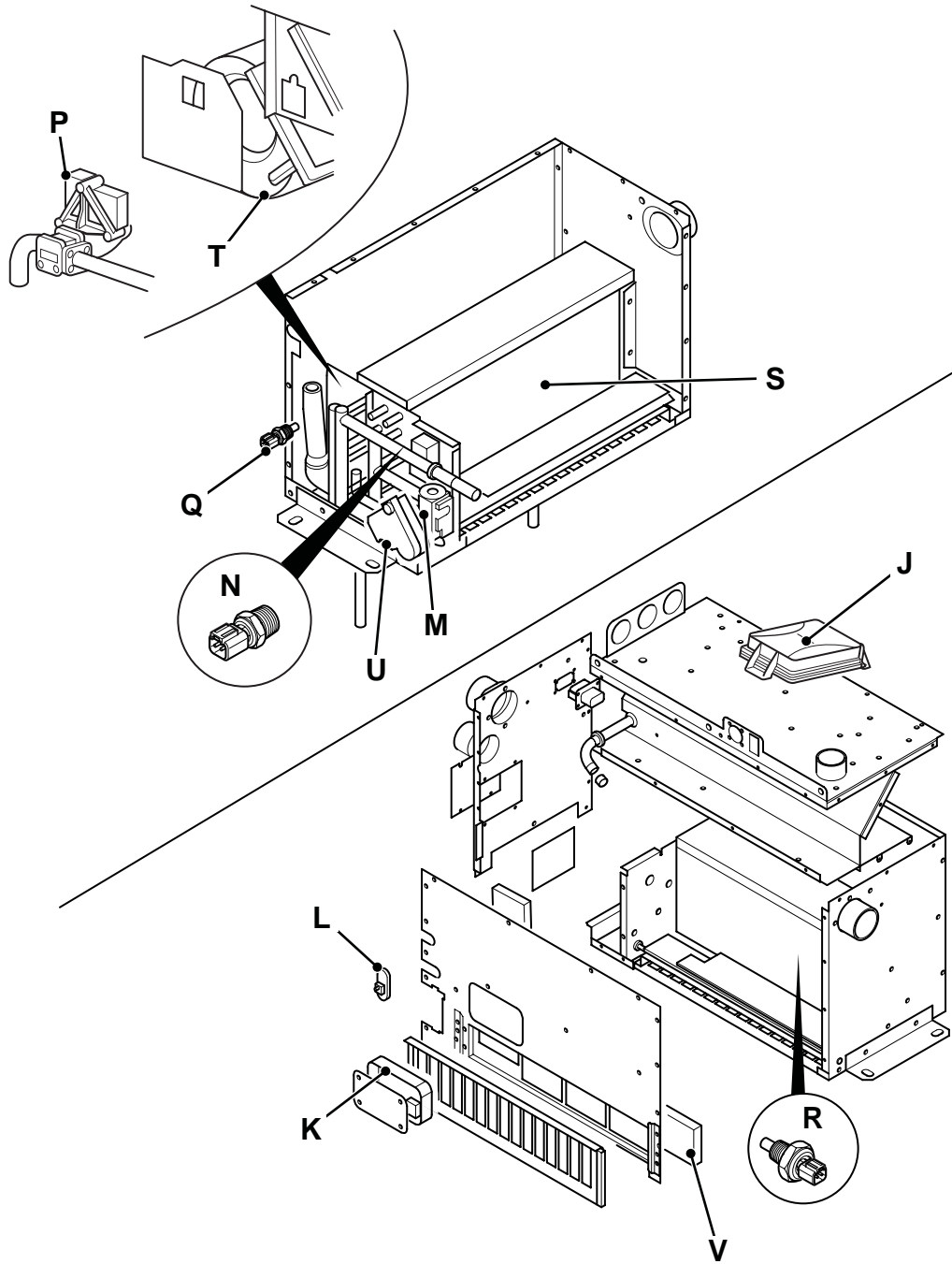
716480-C3



## Section B - Body and Framework Basic Operation

Automatic Temperature Control (ATC) System

Item	Description
A	Evaporator Matrix → <a href="#">Fig 2.</a> ( <a href="#">B-13</a> )
B	Condenser
C	Binary Switch
D	Receiver/Drier
E	Compressor
F	Control Panel
G	Low Pressure Recharge Point
H	High Pressure Recharge Point
J	ATC Electronic Control Module
K	Pulse Width Modulation (PWM) Module
L	Cab Air Sensor
M	Thermal Expansion Valve (TXV)
N	Pressure Sensor
P	Water Valve
Q	Air-off Sensor
R	Evaporator Sensor
S	Evaporator Core
T	Blower Motor
U	Actuator
V	Air Filter



**Fig 2. Evaporator Matrix (A)**

T014090-1