

Removal and Installation

Steering Column

Removal

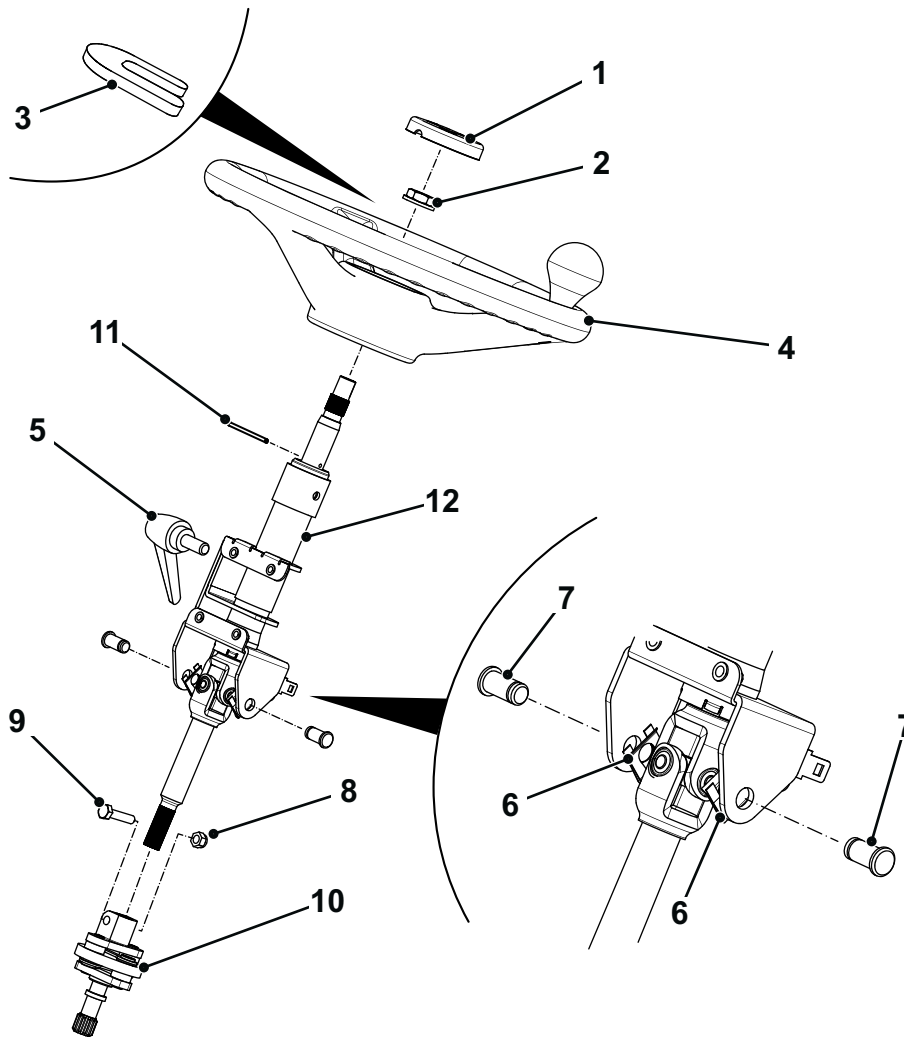


Fig 1.

333-U1601-1-C1

Table 2. Steering Unit - Hose Destinations

Item	Component
1	Plastic cover
2	Retaining nut
3	Setting plate
4	Steering wheel
5	Locking handle - steering column adjustment
6	Safety fasteners
7	Clevis pins
8	Nut
9	Bolt
10	Adapter hub
11	Roll pin
12	Outer column sleeve

WARNING

Make sure the articulation lock is in the transport position before you transport the machine. The articulation lock must also be in the transport position if you are carrying out daily checks or doing any maintenance work in the articulation danger zone.

If the articulation lock is not in the transport position you could be crushed between the two parts of the chassis.

4-3-5-7

Park the machine on hard, level ground with the steering wheel in the straight ahead position.

Note: To make sure that the steering timing is correct, it is important that the components are replaced in their correct positions.

- 1 Lower the loader arms.
- 2 Turn off the engine and remove the starter key.
- 3 Make sure that all of the hydraulic pressure is released.

Note: The cowling has been omitted from the steering column for clarity. Remove the cowling to get access to the steering column and its fixings.

- 4 Remove the plastic cover 1 to get access to the retaining nut 2.

- 5 Remove the retaining nut 2 and the setting plate 3.
- 6 Lift the steering wheel 4 from the steering column splines, this may be a tight fit.
- 7 Remove the locking handle 5.
- 8 Remove the safety fasteners 6 and both of the clevis pins 7.
- 9 Release and remove the nut 8 and bolt 9 from the steering column.
- 10 Disengage the lower steering splines from the adapter hub 10.
- 11 If necessary, remove the roll pin 11 and slide the inner steering column out of the outer steering column sleeve 12.

Installation

The installation procedure is the reverse of the removal procedure.

Make sure the steering wheel is in the straight ahead position before its splines are engaged with the steering column.

Steer Valve Removal and Installation

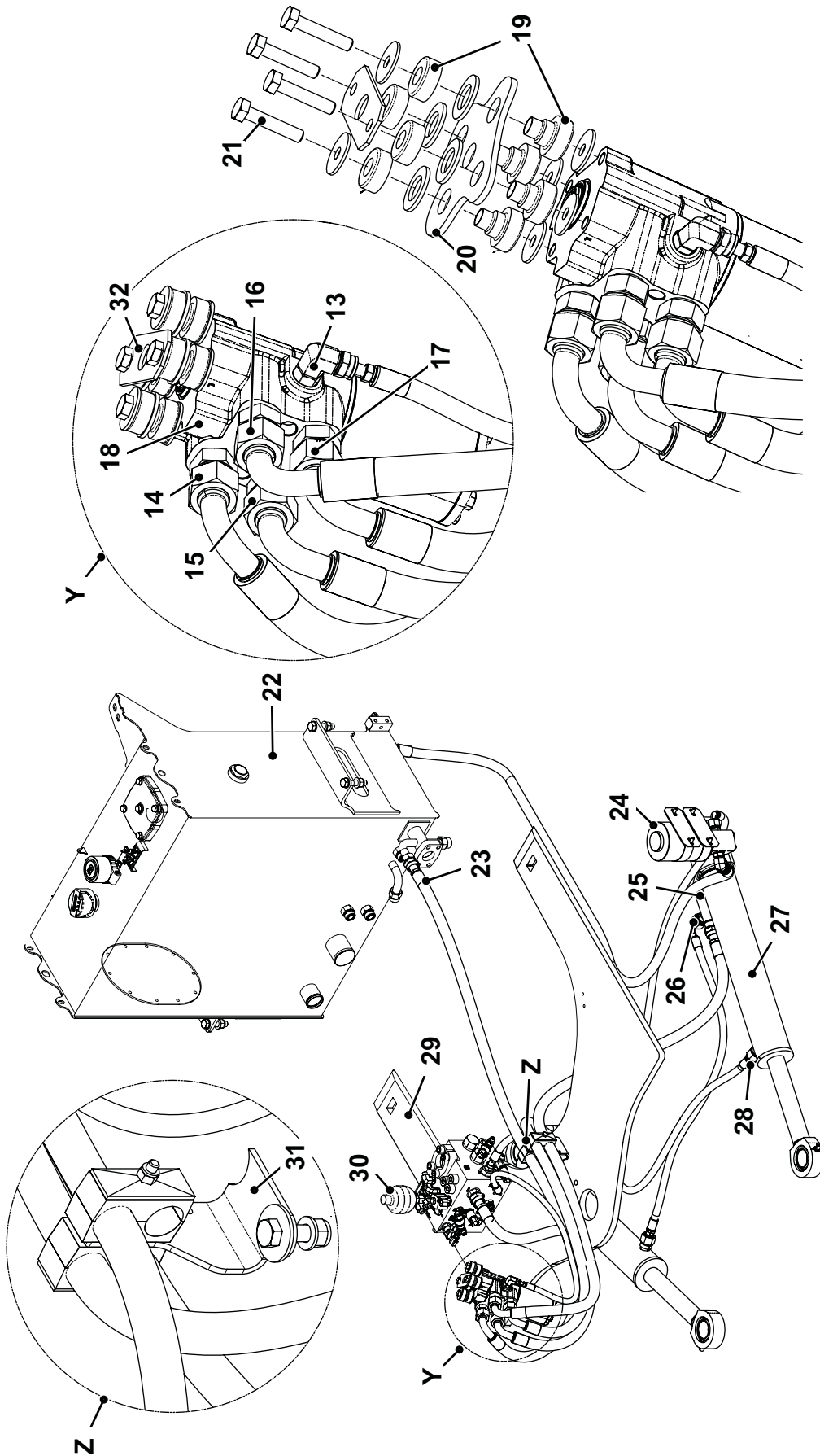


Fig 2.