

UPPERSTRUCTURE / Counterweight

REMOVE AND INSTALL COUNTERWEIGHT


(The illustration shows 40u type A) ... Refer to INTRODUCTION (IN-01) for the corresponding serial numbers.

Removal




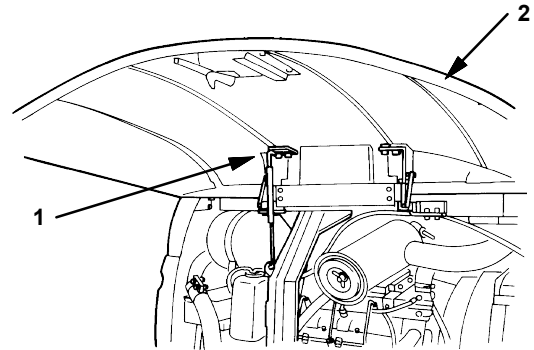
CAUTION: Counterweight weight:
366 kg (807 lb) (40u)
597 kg (1316 lb) (50u)

1. Remove the canopy.

 **NOTE:** Refer to "REMOVE AND INSTALL CANOPY".


2. Loosen bolt (1) and remove engine cover (2).

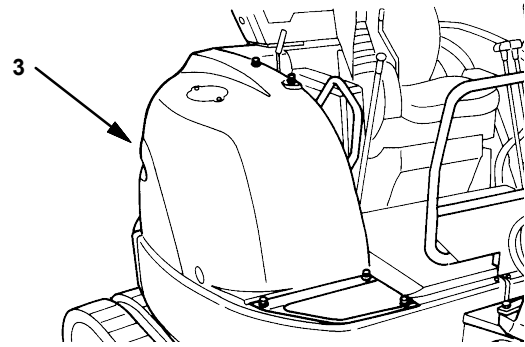
 : 13 mm



W571-02-02-001

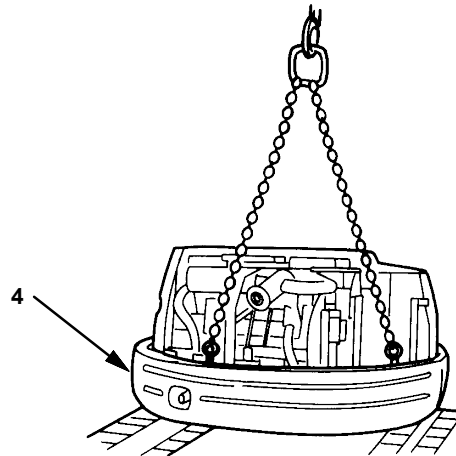
3. Remove tank cover (3).

 : 13 mm



W571-02-02-002

4. Attach eye bolt (M16, Pitch 2.0) onto counterweight (4) to removal.



W571-02-02-003