

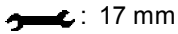
# TRUBLESHOOTING / Electrical System Inspection

## REPLACEMENT OF RELAY

1. Remove screw (1) under the right console to detach cover (2).



2. Remove bolt (3) and turn the console around pin (4). Then, take out lock pin (5). Push pin (4) to the seat side, then remove spacer (6).



3. Move the console to the seat side.

4. Using a sharp-pointed tool, remove cap (9) from cover (7) and duct cover (8) located under the monitor.

5. Remove cover (7) and duct cover (8).



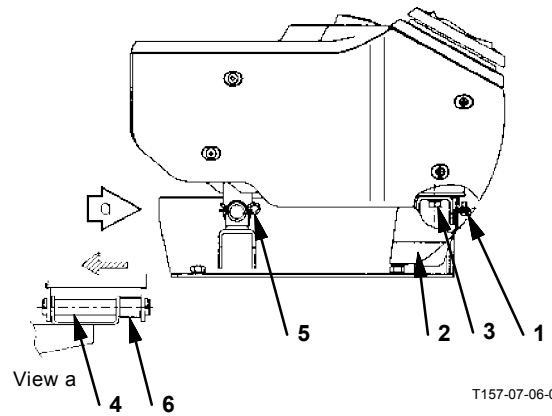
6. Remove ashtray (10) and the ashtray screw. Remove aux. switch panel (11).



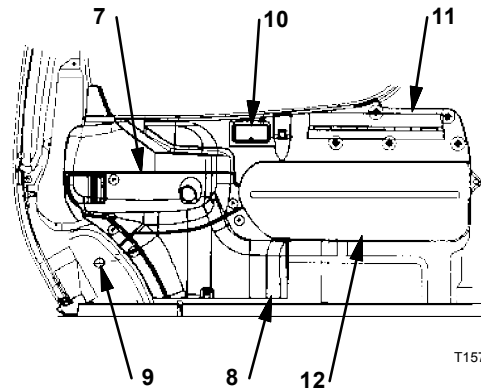
7. Remove relay cover (12).



8. Replace the relay.



T157-07-06-004



T157-07-06-005

1 - Screw  
2 - Cover  
3 - Bolt

4 - Pin  
5 - Lock Pin  
6 - Spacer

7 - Cover  
8 - Duct Cover  
9 - Cap

10 - Ashtray  
11 - Aux. Switch Panel  
12 - Relay Cover