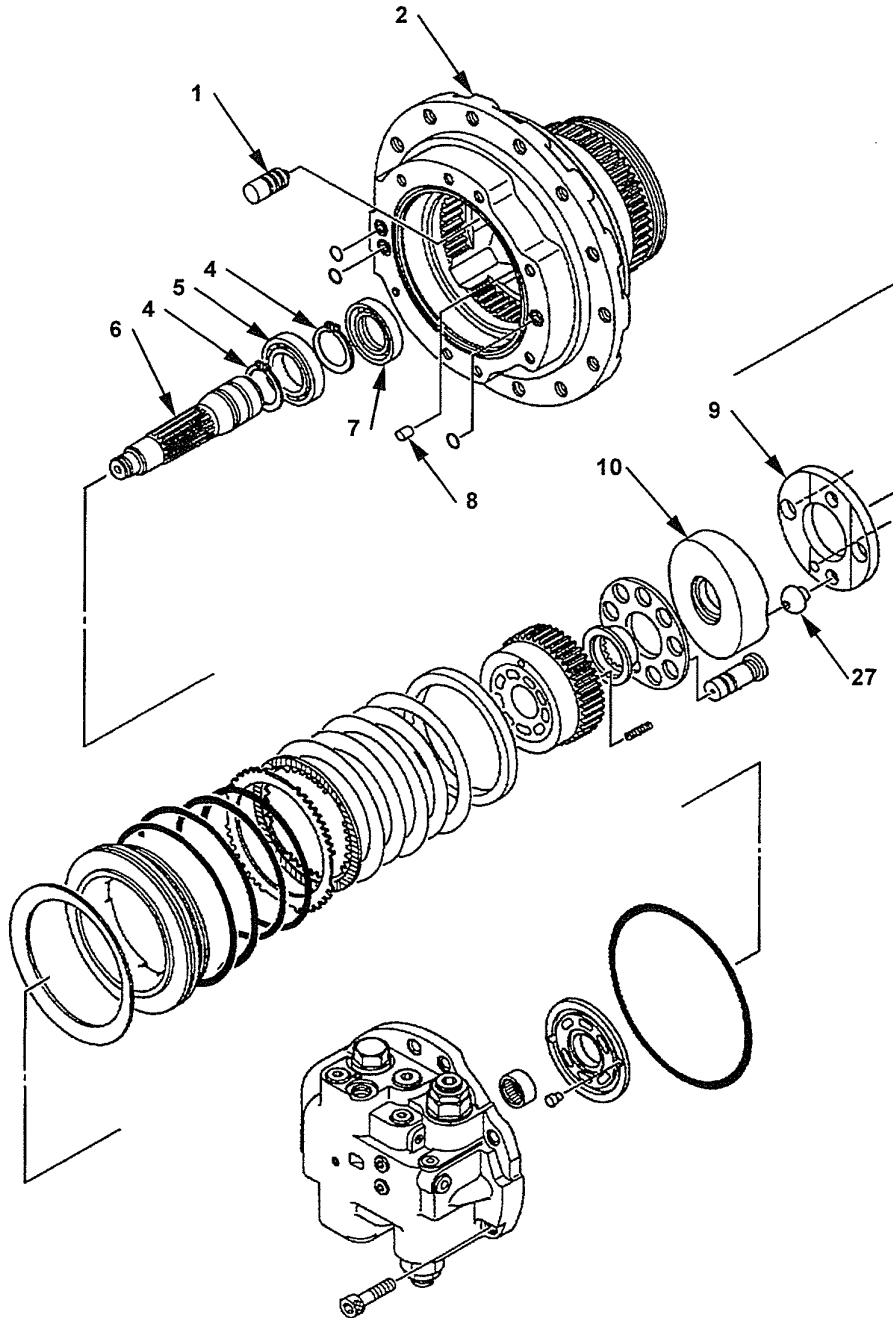


# UNDERCARRIAGE / Travel Device



W155-03-02-004

W3-2-24