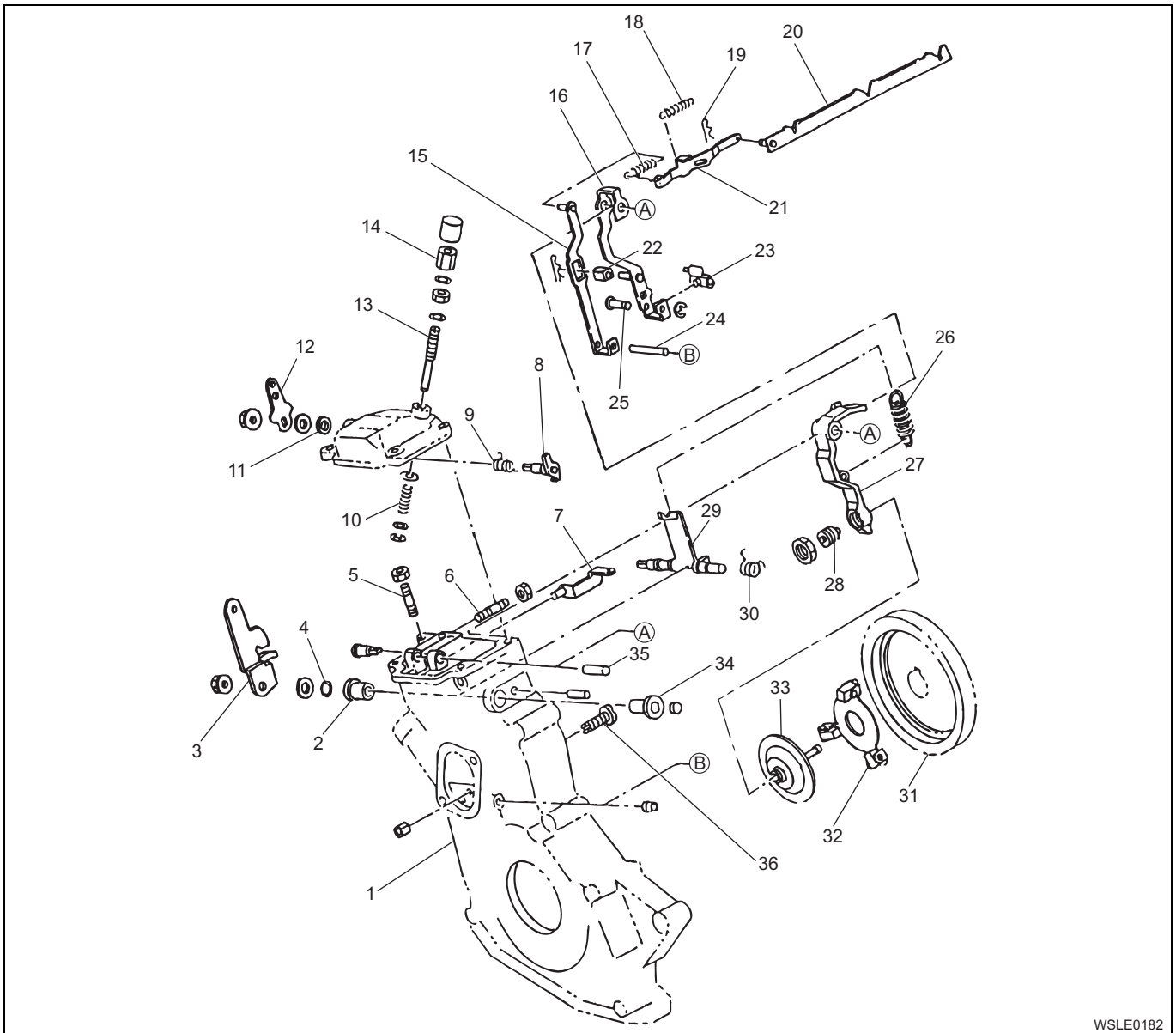


1C-8 4LE2 Fuel System

Structure diagram (2) W1C0079000502



Name

- | | |
|-------------------------|----------------------------|
| 1. Timing Gear Case | 19. Snap Pin |
| 2. Lever Bushing | 20. Control Link |
| 3. Control Lever | 21. Link Plate |
| 4. O-ring | 22. Guide Piece |
| 5. Speed Control Screw | 23. Shifter |
| 6. Speed Control Screw | 24. Shaft (Floating Lever) |
| 7. Start Spring Bracket | 25. Shifter Shaft |
| 8. Fuel Cut Shaft | 26. Main Spring |
| 9. Return Spring | 27. Tension Lever |
| 10. Idle Spring | 28. Angleich |
| 11. O-ring | 29. Lever (Main Spring) |
| 12. Fuel Cut Lever | 30. Return Spring |
| 13. Set Screw | 31. Cam Gear |
| 14. Cap Nut | 32. Flyweight |
| 15. Floating Lever | 33. Sleeve |
| 16. Guide Lever | 34. Lever Bushing |
| 17. Set Spring | 35. Shaft |
| 18. Start Spring | 36. Full Load Set Screw |