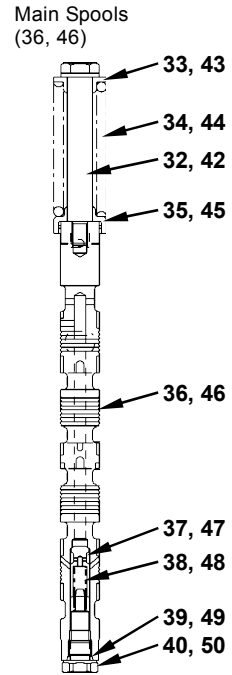
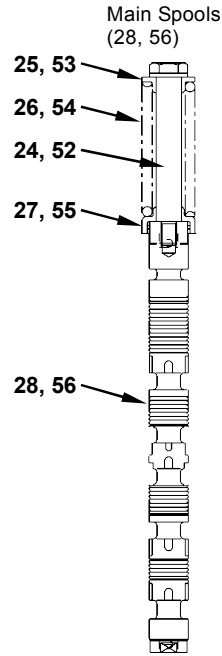
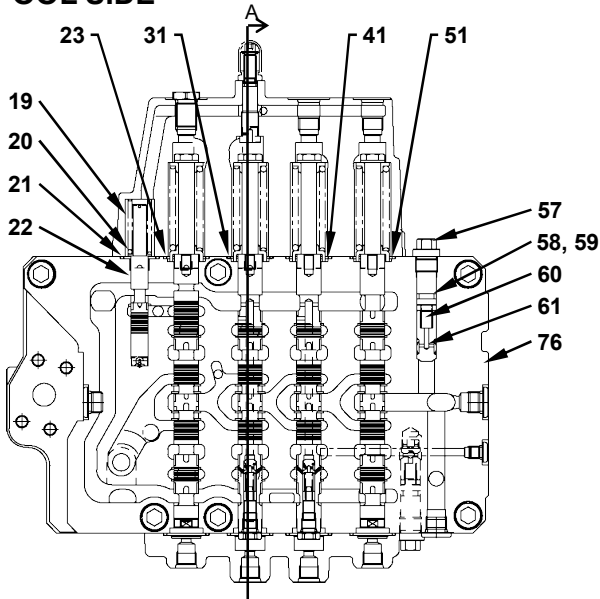
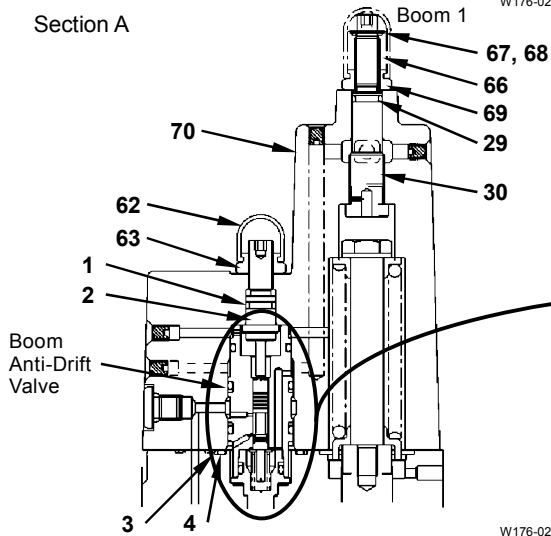


UPPERSTRUCTURE / Control Valve

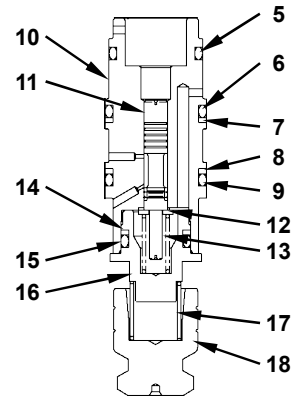
ASSEMBLY OF CONTROL VALVE 4-SPOOL SIDE



Section A



Boom Anti-Drift Valve



- 1 - O-Ring
- 2 - Screw
- 3 - Backup Ring
- 4 - O-Ring
- 5 - O-Ring
- 6 - O-Ring
- 7 - Backup Ring
- 8 - Backup Ring
- 9 - O-Ring
- 10 - Sleeve
- 11 - Spool
- 12 - Washer
- 13 - Spring
- 14 - Backup Ring
- 15 - O-Ring
- 16 - Plug
- 17 - Spring
- 18 - Poppet
- 19 - Spring

- 20 - Washer
- 21 - O-Ring
- 22 - Spool
- 23 - O-Ring
- 24 - Bolt
- 25 - Spring Seat
- 26 - Spring
- 27 - Spring Seat
- 28 - Main Spool
- 29 - O-Ring
- 30 - Screw
- 31 - O-Ring
- 32 - Bolt
- 33 - Spring Seat
- 34 - Spring
- 35 - Spring Seat
- 36 - Main Spool
- 37 - Poppet
- 38 - Spring

- 39 - O-Ring
- 40 - Plug
- 41 - O-Ring
- 42 - Bolt
- 43 - Spring Seat
- 44 - Spring
- 45 - Spring Seat
- 46 - Main Spool
- 47 - Poppet
- 48 - Spring
- 49 - O-Ring
- 50 - Plug
- 51 - O-Ring
- 52 - Bolt
- 53 - Spring Seat
- 54 - Spring
- 55 - Spring Seat
- 56 - Main Spool
- 57 - Plug

- 58 - Backup Ring
- 59 - O-Ring
- 60 - Spring
- 61 - Poppet
- 62 - Cap
- 63 - Nut
- 64 - Plug
- 65 - O-Ring
- 66 - Cap
- 67 - Retaining Ring
- 68 - Shim
- 69 - Nut
- 70 - Pilot Housing
- 71 - Socket Bolt
- 72 - Overload Relief Valve
- 73 - Overload Relief Valve
- 74 - Backup Ring
- 75 - O-Ring
- 76 - Housing