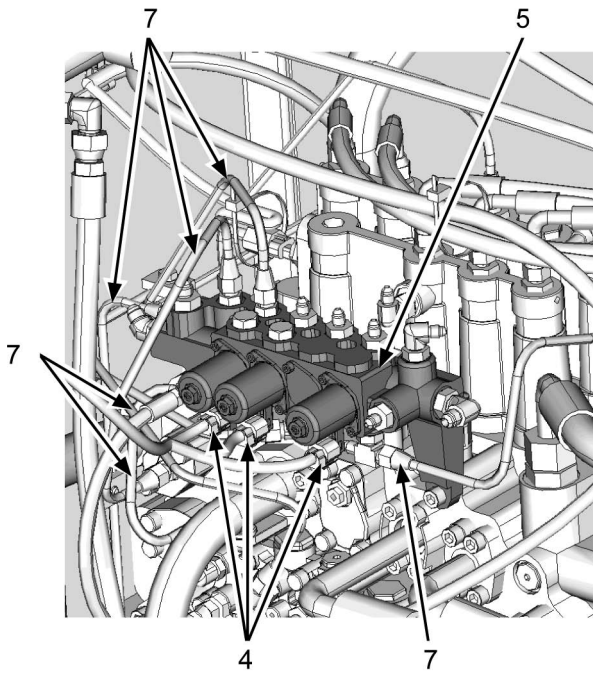
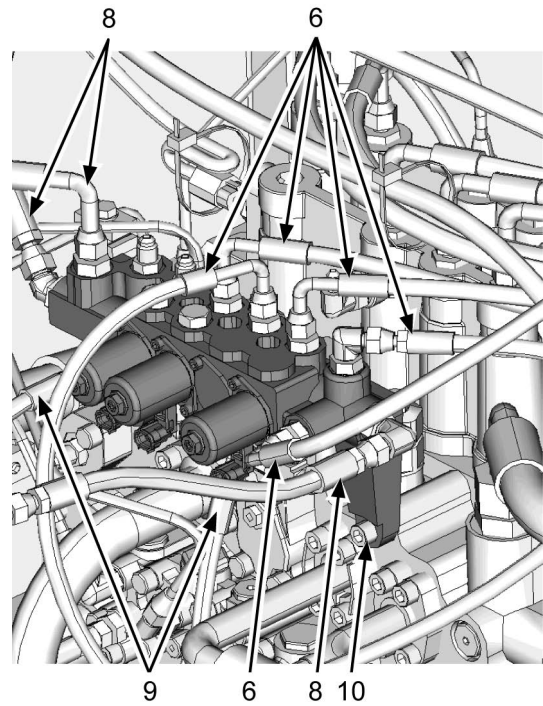


SECTION 3 UPPERSTRUCTURE

Group 12 Solenoid Valve




WDCD-03-12-001




WDCD-03-12-002


5. Disconnect connectors (4) (3 used).
6. Place a container under 3-spool solenoid valve unit (5). Disconnect hoses (6) (5 used).

 : 17 mm


7. Disconnect both ends of pipes (7) (6 used).

 : 17 mm


8. Disconnect hoses (8) (3 used).

 : 19 mm

9. Disconnect hoses (9) (2 used).

 : 17 mm

10. Remove socket bolts (10) (2 used). Remove 3-spool solenoid valve unit (5).

 : 8 mm

11. Remove the adapter with 3-spool solenoid valve unit (5) attached if necessary.