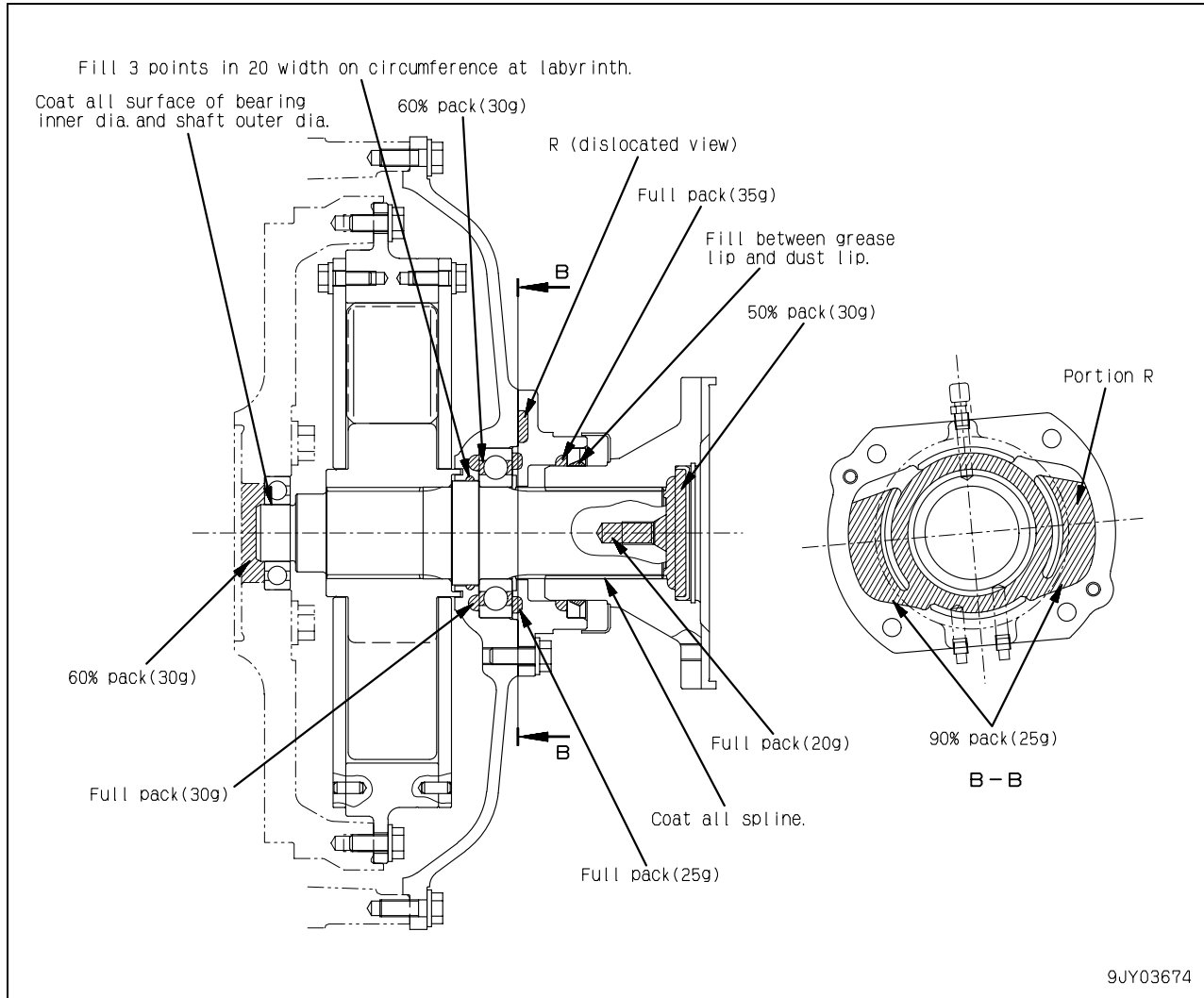


- Procedure for filling ENS grease
  - 1) Part No. of ENS grease: **427-12-11871**
  - 2) Parts to be filled with ENS grease and quantity of ENS grease to be supplied  
(Total: Approx. 225 g)



## Removal and installation of fuel supply pump assembly

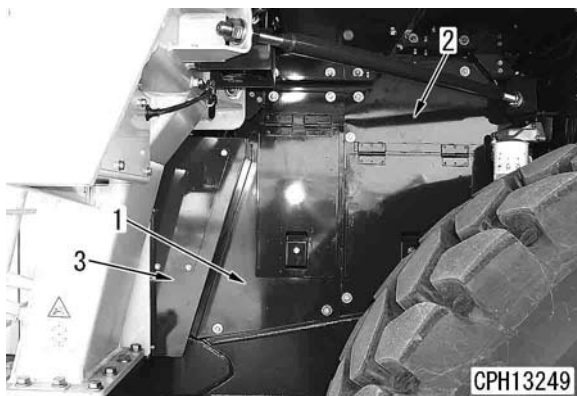
### Special tools

Symbol	Part No.	Part name	Necessity	Q'ty	New/Remodel	Sketch	
A	1	795-630-5500	Standard puller	■	1		
	2	01010-81090	Bolt	■	2		
	3	01643-31032	Washer	■	2		

### Removal

**⚠** Disconnect the cable from the negative (-) terminal of the battery.

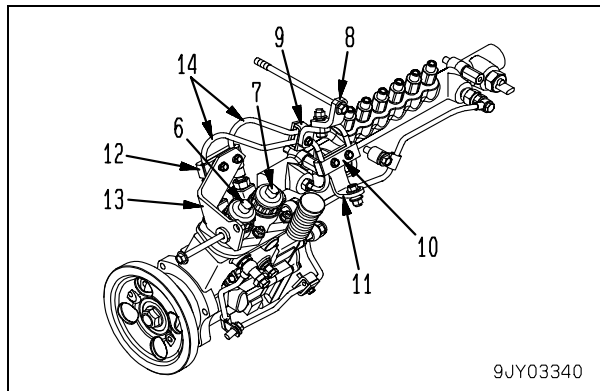
1. Remove engine side covers (1) – (3).



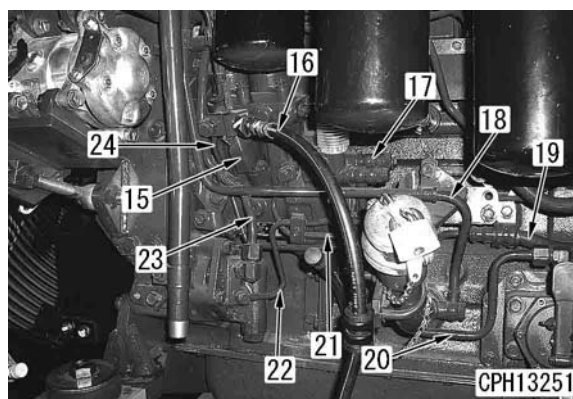
2. Remove corrosion resistor (4) and fuel filter (5).



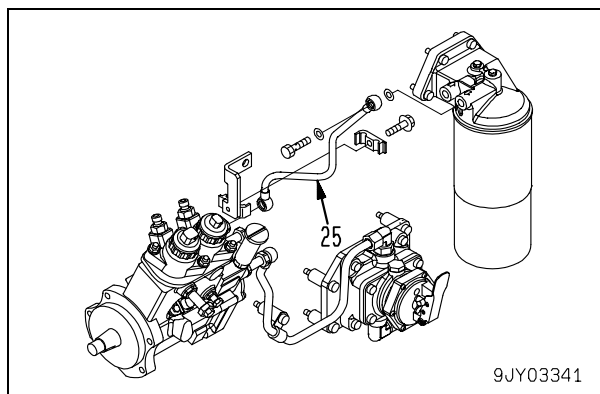
3. Disconnect connectors PCV1 (6) and PCV2 (7).
  - ★ Remove the 2 scatter prevention covers from the high pressure pipe sleeve nuts first.
4. Remove the stay and clamps (8) – (13).
5. Remove 2 high pressure pipes (14).
  - ★ Remove the 2 scatter prevention covers from the common rail side of the high-pressure pipes first.



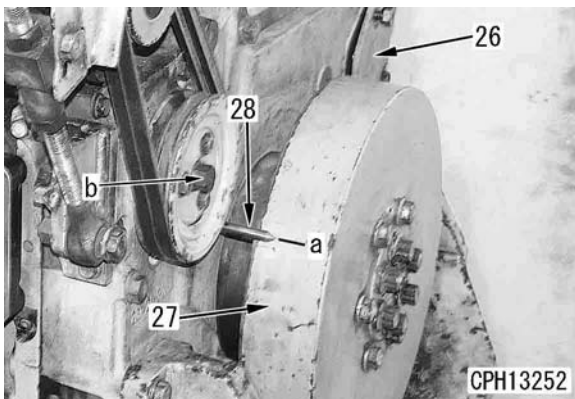
6. Disconnect connector G (15).
7. Disconnect fuel hose (16).
8. Disconnect tubes (17) – (24). [\*1]



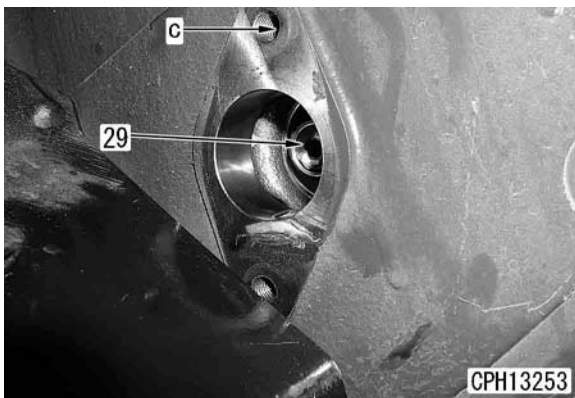
9. Remove tube (25). [\*2]



10. Remove cover (26).
11. Rotate the crankshaft forward and set intermediate point (a) between the stamps of "2/5TOP" and "3/4TOP" on damper (27) to pointer (28).
  - ★ Rotate the crankshaft with hexagonal part (b) at the end of the water pump drive shaft.
  - ★ At this time, check that the forcing tap of the drive gear is set to bolt hole (c) at the top of cover (29). (If not, rotate the crankshaft 1 more turn.)
  - ★ At this position, the key of the pump shaft is rotated clockwise 15° from the top.



12. Remove mounting nut (29). [\*3]
  - ★ Take care not to drop the nut in the gear case.



13. Remove bracket (30) and loosen 4 mounting bolts (31).
14. Set tools **A1**, **A2** and **A3** to drive shaft (32) and tighten the center bolt of tool **A1** to remove drive gear (32) from the shaft.
15. Remove mounting bolts (31) and fuel supply pump assembly (33).
  - ★ If tools **A1**, **A2** and **A3** are removed, drive gear (32) falls. Accordingly, keep those tools installed until the fuel supply pump assembly is installed.

