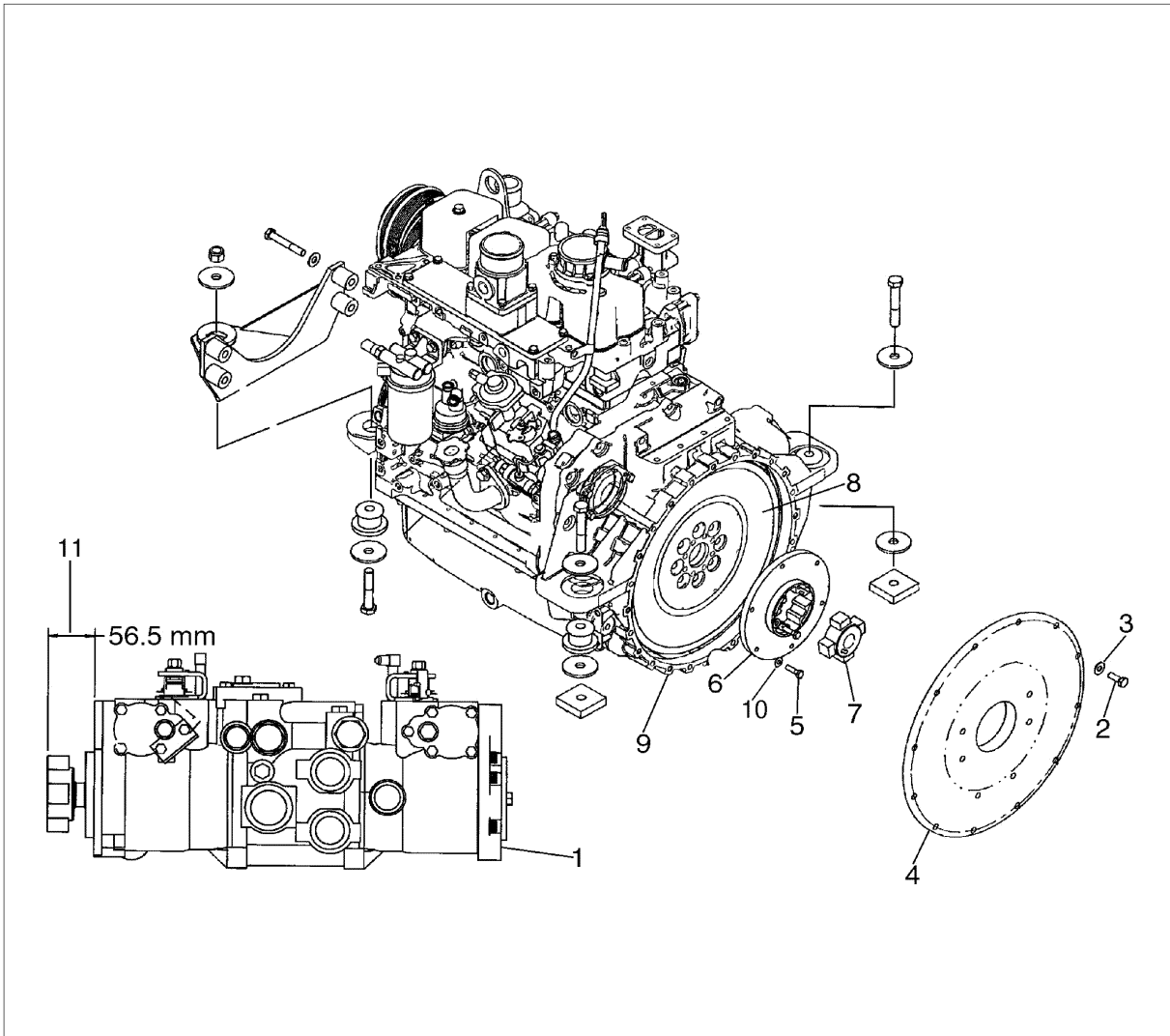


37. Loosen and remove the set screws from the pump drive coupler hub (7) and remove the pump drive coupler hub (7) from the tandem pump (1) input shaft.



BS04E022 2

445 - 445CT Drive Coupling Installation		
1. Tandem pump	5. Cap screw	9. Housing
2. Bolt	6. Pump drive flange	10. Washer
3. Washer	7. Pump drive coupler hub	11. Dimension from pump flange to hub face
4. Pump mounting plate	8. Flywheel	